

211 North Lindbergh Blvd.
 St. Louis, MO 63141
 888.535.5005 tel
 314.754.0835 fax
 specify@anovafurnishings.com
 anovafurnishings.com



PT3202SC
PARK RECEPTACLE
 32-gallon molded plastic receptacle

Material

The 32-gallon receptacle body is made of rotomolded plastic. The receptacle features a vacuum formed high-density polyethylene dome top with 7.44" x 12.5" self-closing door including an embossed "THANK YOU" message.

Color

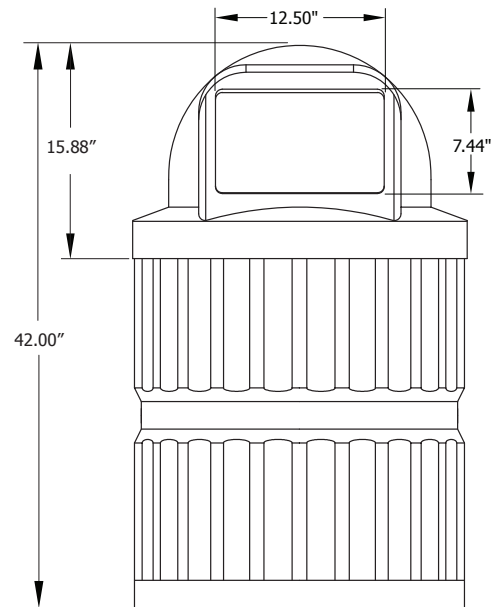
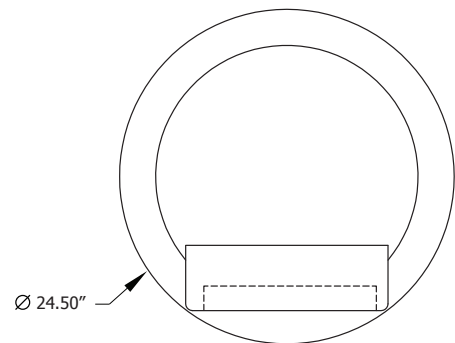
See website or sales representative for color choices.

Maintenance

Maintenance-free. To clean, spray with a power washer.

Warranty

1-year warranty from the date of purchase.



Shipping Information

Unit Wt.	Unit Shipping Wt. UPS	Unit Shipping Wt. Truck (1 + Units)	Unit Ship Size w/Pallet	Max Units per Pallet	Pallet Wt. (48" x 32")	Total No. Pkgs	Shipping Class
30 lbs	N/A	30 lbs/unit	39 cu. ft.	6	50 lbs	1	100