



PT4500— Upside Trash Receptacle

50-gallon polyethylene trash receptacle with plastic tilt-out removable bin



Material

The receptacle is 45" tall and is made of rotomold plastic with a .38" wall thickness and comes with a foot that is raised for drainage. The enclosure features an integrated rain bonnet to keep out the elements and a removable bin that slides out for easy trash removal. Receptacle features a cam lock and key to secure the removable bin to the frame enclosure; also includes a galvanized steel trash bag holder.

The receptacle is designed to be portable for flexibility in placement or surface mounted using predrilled holes in the enclosure foot to prevent movement; optional corkscrew anchor is available. The reusable plastic liner is made of high-density polyethylene.

The receptacle is impervious to moisture and impact- and corrosion-resistant.

For quantities of 50 or more, the customer may submit a custom design to be molded onto the surface of the receptacle. This design may be up to 8" tall and is available in white only. A onetime set-up fee is applied for the custom design.

Finish

Receptacle does not require the application of sealants or preservatives.

Color

See website or sales representative for color choices.

Assembly

The receptacle ships fully assembled and ready for use. Using an optional corkscrew anchor may require some assembly.

Maintenance

The product is virtually maintenance-free and requires only periodic cleaning with a sponge and a mild detergent and water solution to remove surface dirt. Do not clean with solvent or petroleum base products.

Warranty

5-year limited structural warranty from the date of purchase. See full details on multi-year warranties for components at www.anovafurnishings.com/warranty.aspx.

Replacement Parts

Trash Bag Holder WIR2546

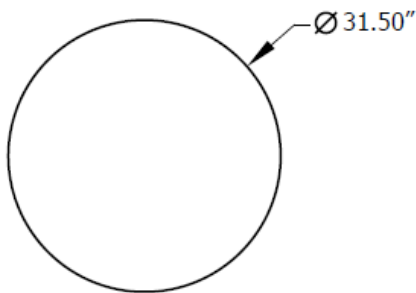
Tan Removable Bin R-PT4500LINER1

Taupe Removable Bin R-PT4500LINER2

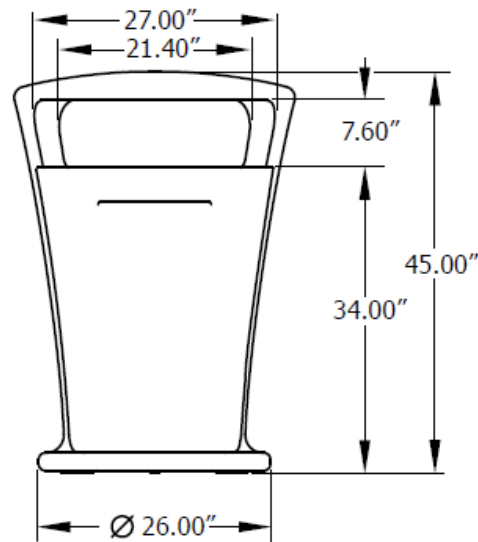
Black Removable Bin R-PT4500LINER3

Accessories

Corkscrew Anchor A1021



TOP VIEW



SHIPPING INFORMATION

Unit Weight	Unit Shipping Wt. UPS (1 Unit)	Unit Shipping Wt. Truck (2+ Units)	Unit Ship Size w/Pallet	Max Units Per Pallet	Pallet Size/Wt. (48" x 32")	Total No. Pkgs.	Shipping Class
54 lbs.	238 lbs./unit	65 lbs./unit	39 cu. ft.	4	50 lbs.	1	250