



211 North Lindbergh Blvd.  
 St. Louis, MO 63141  
 800.231.1327 tel. | 314.754.0835 fax  
[specify@anovafurnishings.com](mailto:specify@anovafurnishings.com)  
[anovafurnishings.com](http://anovafurnishings.com)

**PT4500R— Upside Recycler**

**50-gallon polyethylene recycler with plastic tilt-out removable bin**

**Material**

The receptacle is 45" tall and is made of rotomold plastic with a .38" wall thickness and comes with a foot that is raised for drainage. The enclosure features an integrated rain bonnet to keep out the elements and a removable bin that slides out for easy trash removal. Removable bin features a molded-in recycling graphic in white. Receptacle features a cam lock and key to secure the removable bin to the frame enclosure; also includes a galvanized steel trash bag holder.

The receptacle is designed to be portable for flexibility in placement or surface mounted using pre-drilled holes in the enclosure foot to prevent movement; optional corkscrew anchor is available. The reusable plastic liner is made of high-density polyethylene.

The receptacle is impervious to moisture and impact- and corrosion-resistant.

For quantities of 50 or more, the customer may submit a custom design to be molded onto the surface of the receptacle. This design may be up to 8" tall and is available in white only. A one-time set-up fee is applied for the custom design.

**Finish**

Receptacle does not require the application of sealants or preservatives.

**Color**

See website or sales representative for color choices.

**Assembly**

The receptacle ships fully assembled and ready for use. Using an optional corkscrew anchor may require some assembly.

**Maintenance**

The product is virtually maintenance-free and requires only periodic cleaning with a sponge and a mild detergent and water solution to remove surface dirt. Do not clean with solvent or petroleum base products.

**Warranty**

5-year limited structural warranty from the date of purchase. See full details on multi-year warranties for components at [www.anovafurnishings.com/warranty.aspx](http://www.anovafurnishings.com/warranty.aspx).



**Replacement Parts**

Trash Bag Holder WIR2546

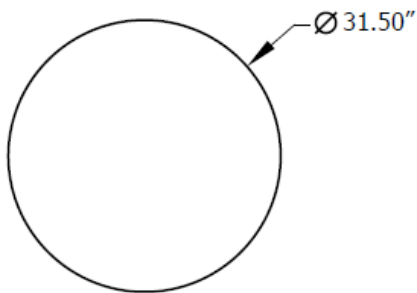
Tan Removable Bin R-PT4500LINER1

Taupe Removable Bin R-PT4500LINER2

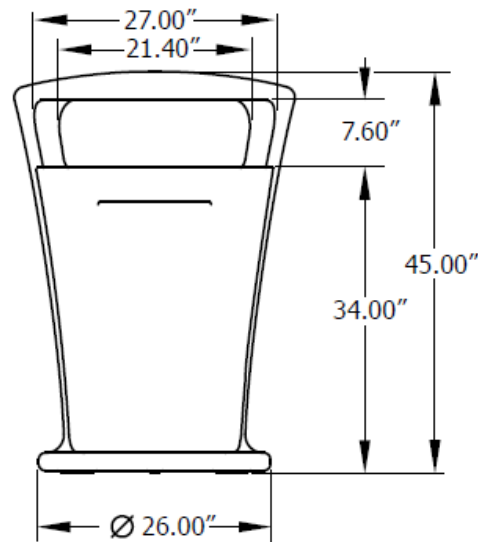
Black Removable Bin R-PT4500LINER3

**Accessories**

Corkscrew Anchor A1021



TOP VIEW



**SHIPPING INFORMATION**

Unit Weight	Unit Shipping Wt. UPS (1 Unit)	Unit Shipping Wt. Truck (2+ Units)	Unit Ship Size w/Pallet	Max Units Per Pallet	Pallet Size/Wt. (48" x 32")	Total No. Pkgs.	Shipping Class
54 lbs.	238 lbs./unit	65 lbs./unit	39 cu. ft.	4	50 lbs.	1	250