

211 North Lindbergh Blvd.
 St. Louis, MO 63141
 888.535.5005 tel
 314.754.0835 fax
 specify@anovafurnishings.com
 anovafurnishings.com



Material

The 60-gallon receptacle body is made of rotomolded plastic with a .19" wall thickness and comes with a base that is raised for drainage. The base may be anchored to most surfaces: concrete, asphalt, wood or grass.

For quantities of 50 or more the customer may submit a custom design to be molded onto the surface of the receptacle. This design may be up to 8" tall and is available in White only. A one time set-up fee is applied for the custom design.

Color

See website or sales representative for color choices.

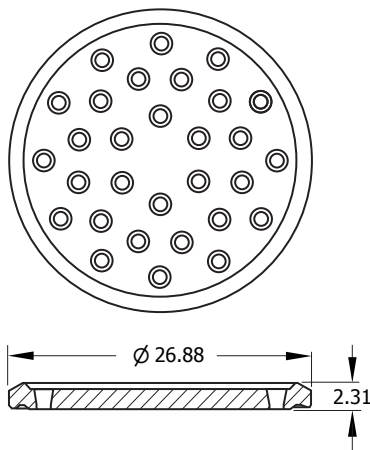
Maintenance

Maintenance-free. To clean, spray with a power washer.

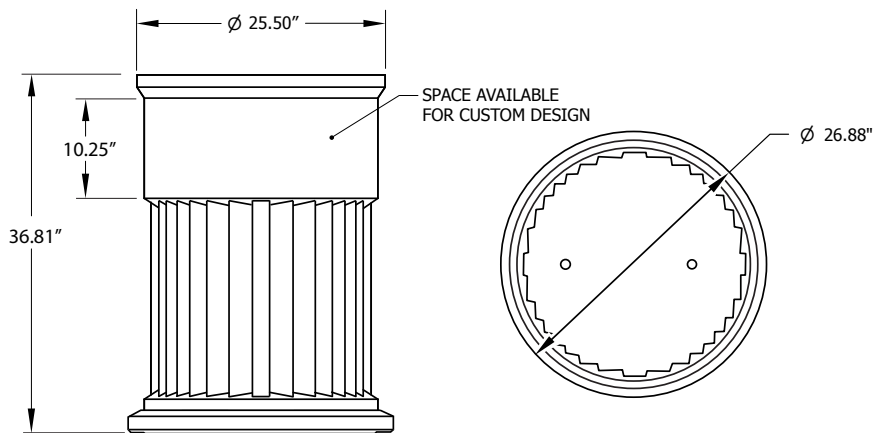
Warranty

1-year warranty from the date of purchase.

**PT5500
 PARK RECEPTACLE
 60-gallon molded plastic
 receptacle**



Receptacle Base



Shipping Information

Unit Wt.	Unit Shipping Wt. UPS (1 Unit)	Unit Shipping Wt. Truck (2 + Units)	Unit Ship Size w/Pallet	Max Units per Pallet	Pallet Wt. (48" x 32")	Total No. Pkgs	Shipping Class
29 lbs	154 lbs/unit	36 lbs/unit	39 cu. ft.	6	50 lbs	1	100