

211 North Lindbergh Blvd.  
 St. Louis, MO 63141  
 888.535.5005 tel  
 314.754.0835 fax  
 specify@anovafurnishings.com  
**anovafurnishings.com**



**RCPSC6**  
**RECYCLED PLASTIC BENCH**  
 6' recycled plastic plank bench with  
 back, portable mount

**Material**

The bench seat and back are 72" in length and are made of recycled plastic 2" x 4" (nominal dimensions) planks. The seat will support 200 lbs per linear foot. The bench supports are made of molded recycled plastic. The frame is portable in design allowing for flexibility in placement and includes mounting holes for surface mount options. Mounting hardware is not included.

**Finish**

The planks and supports are impervious to moisture and corrosion, do not require the application of sealants or preservatives, and will never need painting or staining throughout the product's life.

**Color**

See website or sales representative for color choices.

**Assembly**

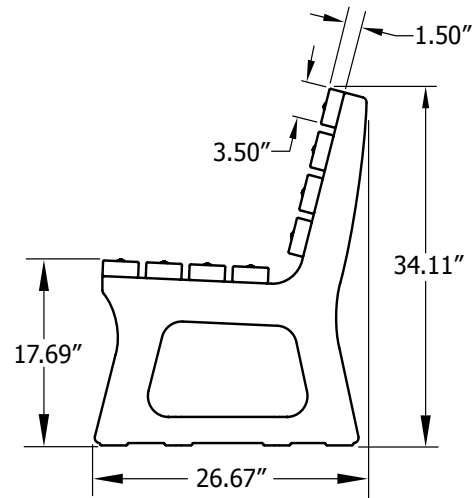
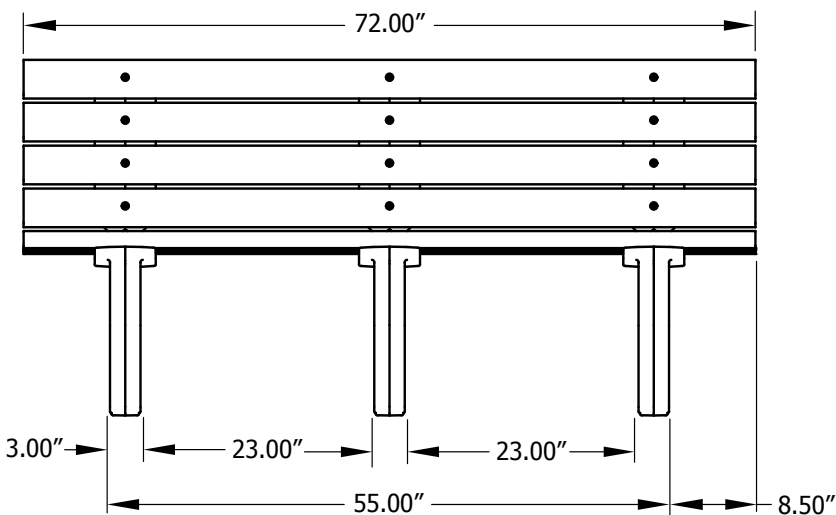
The bench requires some assembly. Assembly hardware is included.

**Maintenance**

The product is virtually maintenance-free and requires only periodic cleaning with a sponge and a solution of mild detergent and water to remove surface dirt. Do not clean with solvent or petroleum based products.

**Warranty**

20-year limited structural warranty on recycled plastic from the date of purchase. See full details on multi-year warranties for components at [www.anovafurnishings.com/warranty.aspx](http://www.anovafurnishings.com/warranty.aspx).



**Shipping Information**

Unit Wt.	Unit Shipping Wt. UPS	Unit Shipping Wt. Truck (1+ Units)	Unit Ship Size w/Pallet	Max Units per Pallet	Pallet Wt.	Total No. Pkgs	Shipping Class
115 lbs	N/A	133 lbs/unit	10 cu. ft.	N/A	N/A	1	70