

RCPWT63 — Wainwright 6' Picnic Table Set

6' picnic table plus two 6' flat benches with recycled plastic table top and seat planks, portable or surface mount steel frame and legs



Material

The table is 72" in length and comes with two independent 72" long benches. The table top and seats are made of 1.5" x 3.5" (2" x 4" nominal dimensions) recycled plastic planks. The center plank of the table top is 1.5" x 5.75" (2" x 6" nominal dimensions) and features a 2" diameter umbrella hole. The table top is designed to support 100 lbs. per square foot and the sets will support 200 lbs. per linear foot.

The frames are made of .38" thick x 4" wide formed steel. Wide 4" steel band wraps the table and bench ends and joins to the heavy-duty frame. Table and benches are designed to be portable for flexibility in placement or surface mounted using pre-drilled .50" diameter holes in feet to prevent movement; mounting hardware is not included.

The planks are made of 95% recycled content by weight and are impervious to moisture and corrosion, do not require the application of sealants or preservatives, and will never need painting for staining throughout the product's life.

Finish

Fade-resistant, powder coated steel frame features a state-of-the-art primer proven to prevent rusting. Treated components exceed the industry standard by 34% in testing by independent sources.

Color

See website or sales representative for color choices.

Assembly

The table set requires some assembly. Stainless steel assembly hardware is included.

Maintenance

The product is virtually maintenance-free and requires only periodic cleaning with a sponge and a solution of mild detergent and water to remove surface dirt. Do not clean with solvent or petroleum base products.

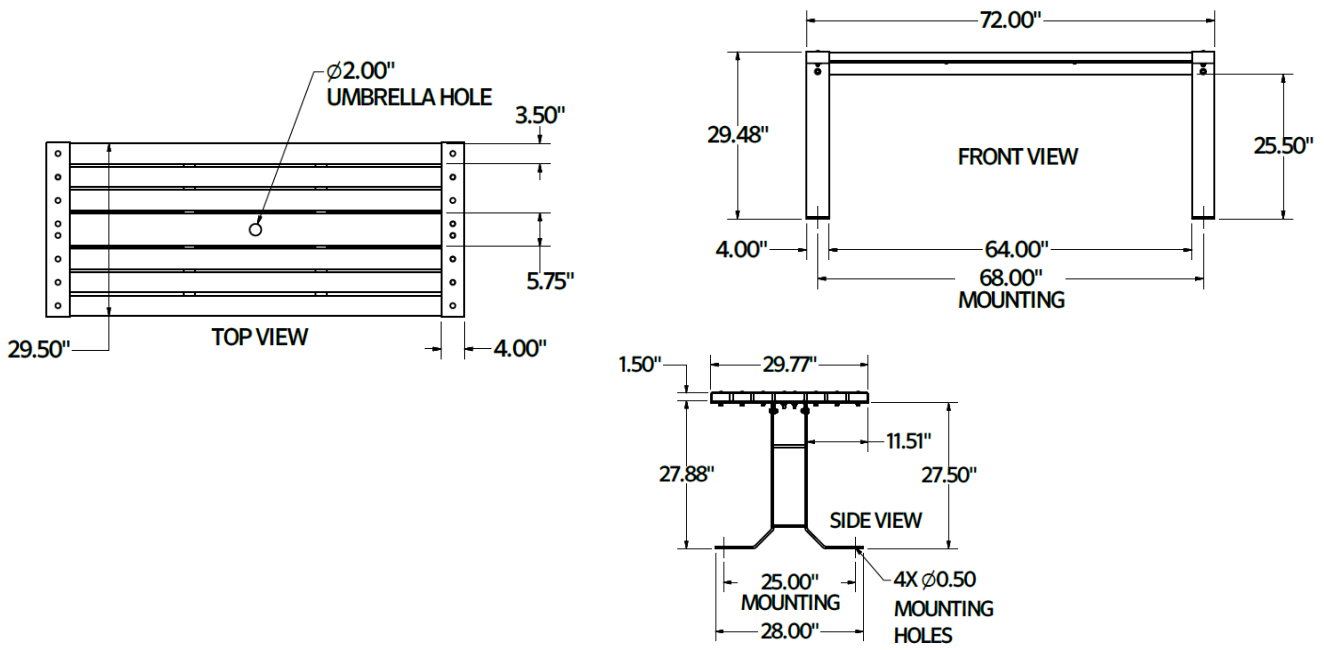
Warranty

20-year limited structural warranty on recycled plastic from the date of purchase. See full details on multi-year warranties for components at www.anovafurnishings.com/warranty.aspx.

Accessories

- 9' Premium Fabric Color Umbrella 9LPU-CPC
- 9' Standard Fabric Color Umbrella 9LPU-CSC
- 11" Dia. Umbrella Stand UB11
- 15" Dia. Umbrella Stand UB15

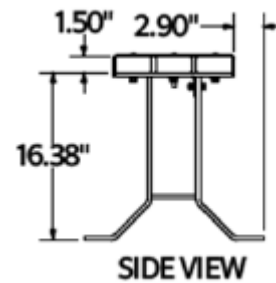
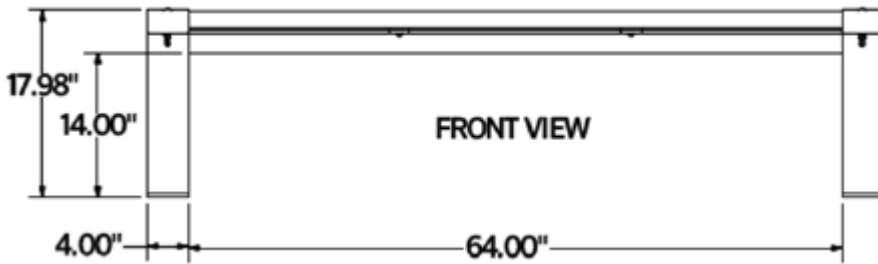
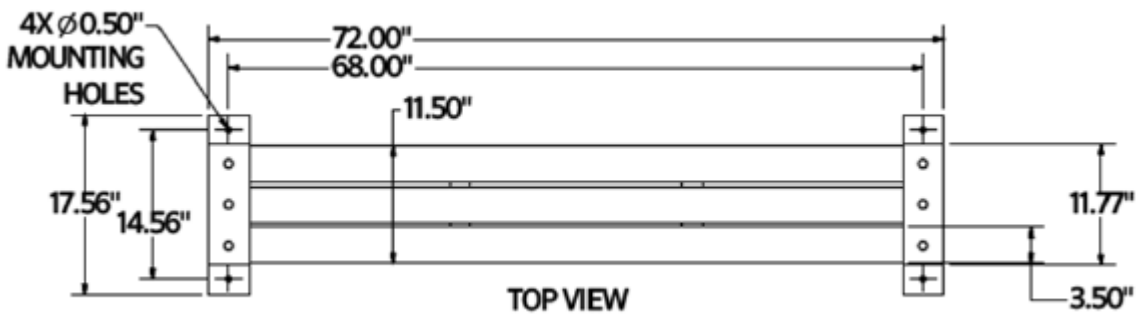
Table Specifications





RCPWT63 — Wainwright 6' Picnic Table Set

72" Bench Specifications



SHIPPING INFORMATION

Unit Weight	Unit Shipping Wt. UPS	Unit Shipping Wt. Truck (1+ Units)	Unit Ship Size w/Pallet	Max Units Per Pallet	Pallet Size/Wt. (32" X 74")	Total No. Pkgs.	Shipping Class
461 lbs.	N/A	480 lbs./unit	24.67 cu. ft.	2 sets	100 lbs.	4	65