



211 North Lindbergh Blvd.
 St. Louis, MO 63141
 800.231.1327 tel. | 314.754.0835 fax
specify@anovafurnishings.com
anovafurnishings.com

T2235R – Tuscany Recycled Plastic Chair

Chair with recycled plastic planks and steel frame and legs



Material

The chair is composed of 0.75" x 3.5" recycled plastic seat and back planks with 14-gauge steel frame and legs. Planks are attached to the frame using stainless steel hardware. The chair is 32.95" tall and designed to support 200 lbs. per linear foot.

The chair frame and legs are made of square tubular steel; legs feature plastic foot glides to help protect your floors.

The planks are made of 95% recycled content by weight and are impervious to moisture and corrosion, do not require the application of sealants or preservatives, and will never need painting or staining throughout the product's life.

Finish

Fade-resistant, powder coated steel frame features a state-of-the-art primer proven to prevent rusting. Treated components exceed the industry standard by 34% in testing by independent sources.

Color

See website or sales representative for color choices.

Assembly

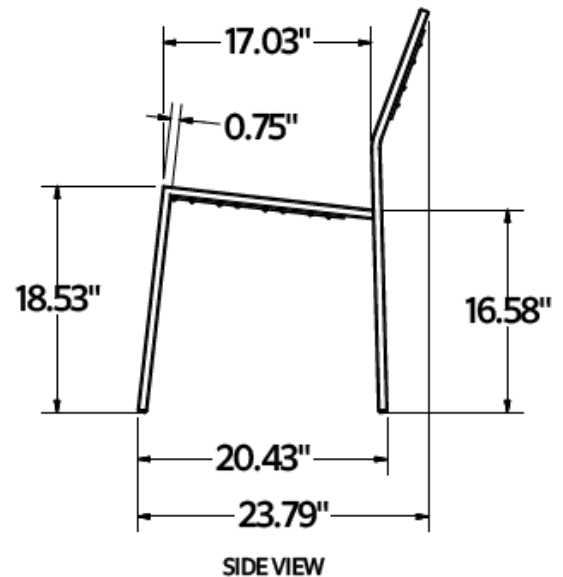
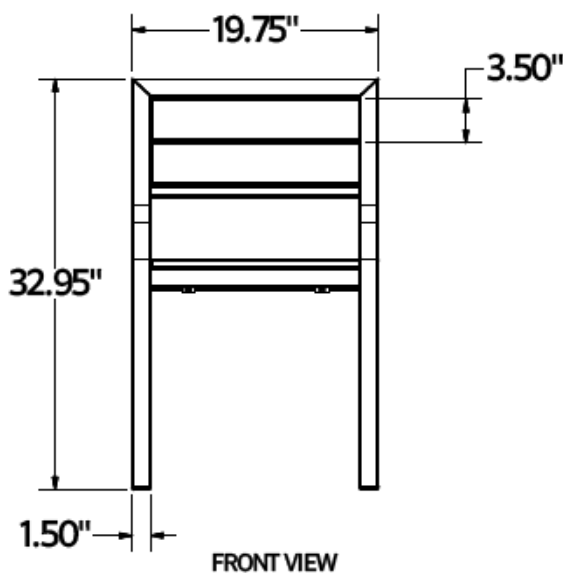
The chair ships fully assembled and ready for use.

Maintenance

The product is virtually maintenance-free and requires only periodic cleaning with a sponge and a solution of mild detergent and water to remove surface dirt. Do not clean with solvent or petroleum base products.

Warranty

20-year limited structural warranty on recycled plastic from the date of purchase. See full details on multi-year warranties for components at www.anovafurnishings.com/warranty.aspx.



SHIPPING INFORMATION

Unit Weight	Unit Shipping Wt. UPS	Unit Shipping Wt. Truck (1+ Units)	Unit Ship Size w/Pallet	Max Units Per Pallet	Pallet Size/Wt. (48" x 48")	Total No. Pkgs.	Shipping Class
29 lbs.	N/A	38 lbs.	39 cu. ft.	2	50 lbs.	1	250