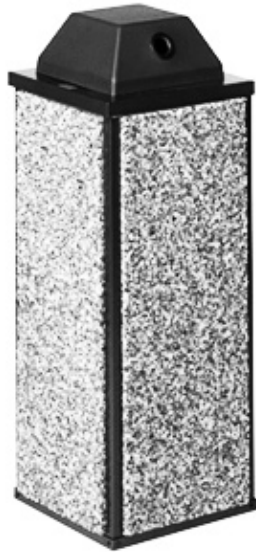


211 North Lindbergh Blvd.  
 St. Louis, MO 63141  
 888.535.5005 tel  
 314.754.0835 fax  
 specify@anovafurnishings.com  
**anovafurnishings.com**



**Material**

The ash urn is made of cast aggregate on masonite panels and a welded steel frame. The top is made of durable polyethylene and features two 1.13" diameter openings for ash disposal. The top has a stainless steel hinge to allow for easy removal of smoking waste. The urn has a sturdy base that is portable for flexibility in placement. The urn is 29" tall.

**Finish**

The aggregate is cast in a durable epoxy resin that remains clear and bright throughout its life.

**Color**

See website or sales representative for color choices.

**Assembly**

No assembly is required, the urn arrives assembled and ready for placement and use on site.

**Maintenance**

The product is virtually maintenance-free and requires only periodic cleaning with a sponge and a solution of mild detergent and water to remove surface dirt. Do not clean with solvent or petroleum based products.

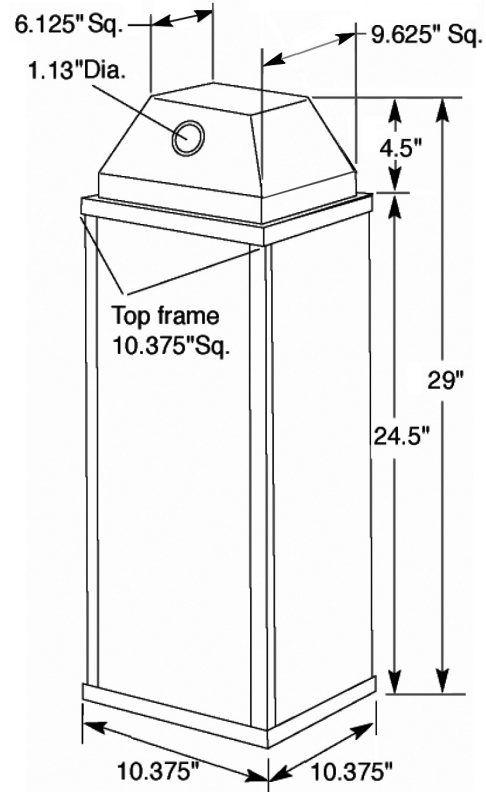
**Warranty**

5-year limited structural warranty from the date of purchase. See full details on multi-year warranties for components at [www.anovafurnishings.com/warranty.aspx](http://www.anovafurnishings.com/warranty.aspx).

**URNAGAC  
 ESSENCE ASH URN**  
 cast aggregate ash urn with  
 masonite panels, polyethylene  
 ash cover, two openings, and stainless  
 steel cover hinge

**Accessories**

- |                                |                  |
|--------------------------------|------------------|
| Hold Down Kit                  | <b>PANELHLD</b>  |
| Black Plastic Liner            | <b>R-WR32PLR</b> |
| Black Beauty Sand Replacement: |                  |
| 5 lb bag                       | <b>SAND5</b>     |
| 10 lb bag                      | <b>SAND10</b>    |
| 25 lb bag                      | <b>SAND25</b>    |
| 50 lb bag                      | <b>SAND50</b>    |
| Ash Sifter 5" diameter         | <b>SIFTER</b>    |



**Shipping Information**

Unit Wt.	Unit Shipping Wt. UPS (1-6 Units)	Unit Shipping Wt. Truck (7+ Units)	Unit Ship Size	Max Units per Pallet	Pallet Wt.	Total No. Pkgs	Shipping Class
44 lbs	47 lbs/unit	47 lbs/unit	4 cu. ft.	N/A	N/A	1	125