

211 North Lindbergh Blvd.
 St. Louis, MO 63141
 800.231.1327tel| 314.754.0835 fax
specify@anovafurnishings.com
anovafurnishings.com

INF4ARMR - Infinity 4' Armrest, RPL

Optional armrest for the Infinity modular system. Attaches where you need it most.

Material

The armrest is composed of a 2.00" x 1.00" recycled plastic plank attached to a 10-gauge galvanized steel frame. The armrest is 30" long and 2" wide.

Armrest can attach to any 4' wide Infinity bench and on top of almost every plank. See Assembly Instructions to ensure armrest can attach over desired plank.

The planks are made of 95% recycled content by weight and are impervious to moisture and corrosion, do not require the application of sealants or preservatives, and will never need painting or staining throughout the products life.

Finish

Hot dipped galvanized steel components are corrosion resistant and compliant with ASTM A123. Galvanized steel components are 100% recyclable and require no coating or maintenance throughout their service life.

Color

See website or sales representative for color choices.

Assembly

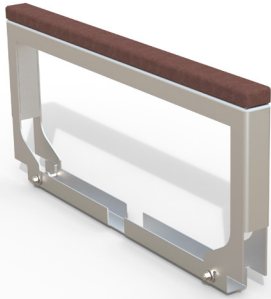
The armrest requires some assembly. Stainless steel assembly hardware is included.

Maintenance

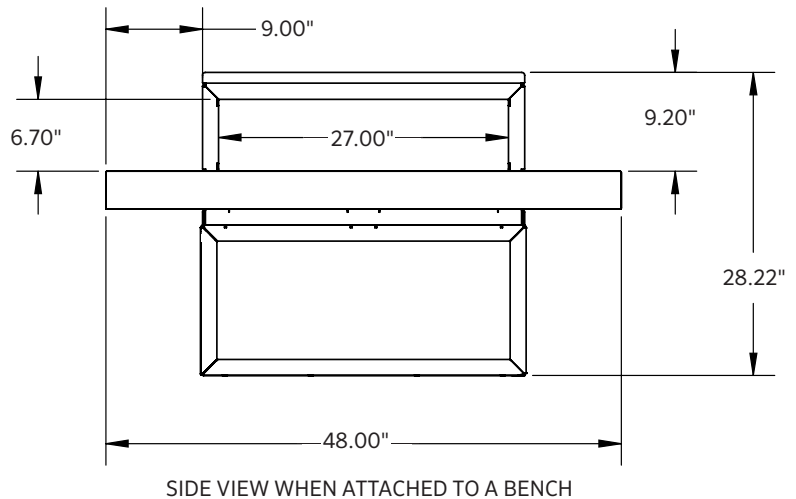
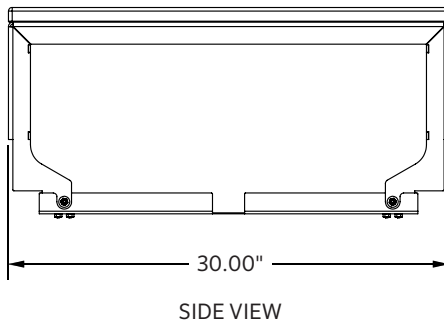
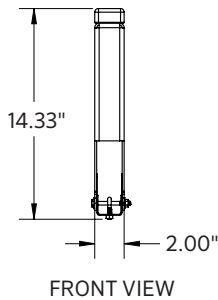
The product is virtually maintenance-free and requires only periodic cleaning with a sponge and a solution of mild detergent and water to remove surface dirt. Do not clean with solvent or petroleum base products.

Warranty

20-year limited structural warranty on recycled plastic and galvanized parts from date of purchase. See full details on multi-year warranties for components at www.anovafurnishings.com/warranty.aspx.



Bench sold separately



SHIPPING INFORMATION

Unit Weight	Unit Shipping Wt. UPS (1-4 Units)	Unit Shipping Wt. Truck (5+ Units)	Unit Ship Size w/ Pallet	Max Units Per Pallet	Pallet Size/Wt. (32" X 48")	Total No. Pkgs.	Shipping Class
15 lbs.	18 lbs.	18 lbs./unit	7.11 cu. ft.	16	50 lbs.	1	100