

211 North Lindbergh Blvd.
 St. Louis, MO 63141
 800.231.1327tel| 314.754.0835 fax
specify@anovafurnishings.com
anovafurnishings.com

INF4ARMT - Infinity 4' Armrest, Thermory®

Optional armrest for the Infinity modular system. Attaches where you need it most.

Material

The armrest is composed of a 2.00" x 1.00" actual Thermory plank attached to a 10-gauge galvanized steel frame. The armrest is 30" long and 2" wide.

Armrest can attach to any 4' wide Infinity bench and on top of almost every plank. See Assembly Instructions to ensure armrest can attach over desired plank.

Low-maintenance Thermory is made from thermally-modified North American White Ash—a sustainably-harvested and renewable temperate hardwood. It is an environmentally-friendly hardwood and a great alternative to commonly used tropical rainforest hardwoods because of its dimensional stability and Class 1 durability (25+ years). Thermory has a lower carbon footprint than tropical hardwoods.

Finish

Hot dipped galvanized steel components are corrosion resistant and compliant with ASTM A123. Galvanized steel components are 100% recyclable and require no coating or maintenance throughout their service life.

Thermory is a lustrous chocolate brown color when new and will naturally age to uniform silver/gray over time. The color-changing process begins immediately and varies with the amount of UV-exposure.

Assembly

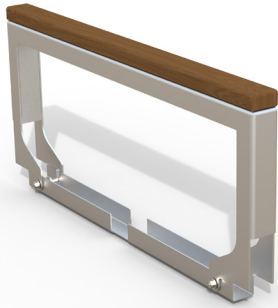
The armrest requires some assembly. Stainless steel assembly hardware is included.

Maintenance

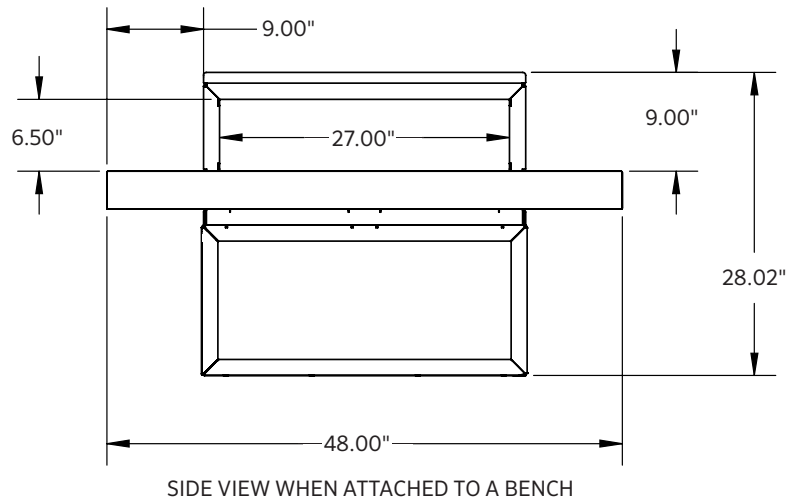
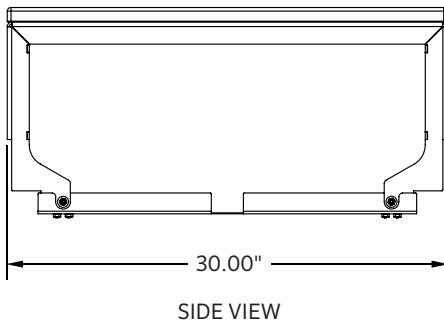
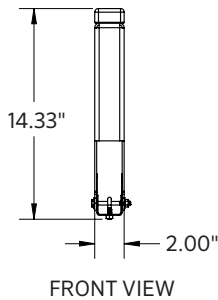
Clean with mild soap and water. Let dry thoroughly. To maintain original color, regularly apply standard deck oil, such as Cutek® Extreme Wood Protection Oil.

Warranty

10-year limited structural warranty from the date of purchase. See full details on multi-year warranties for components at www.anovafurnishings.com/warranty.aspx.



Bench sold separately



SHIPPING INFORMATION

Unit Weight	Unit Shipping Wt. UPS (1-4) Units	Unit Shipping Wt. Truck (5+ Units)	Unit Ship Size w/ Pallet	Max Units Per Pallet	Pallet Size/Wt. (32" X 48")	Total No. Pkgs.	Shipping Class
15 lbs.	18 lbs.	18 lbs./unit	7.11 cu. ft.	16	50 lbs.	1	100