

PRODUCT SPECIFICATIONS

IRON VALLEY TRASH RECEPTACLE

2 1/4" Space Between Slats.
Slats Are Formed From
ASTM 1018 Rolled Steel Bar.
1 1/2" x 3/16"

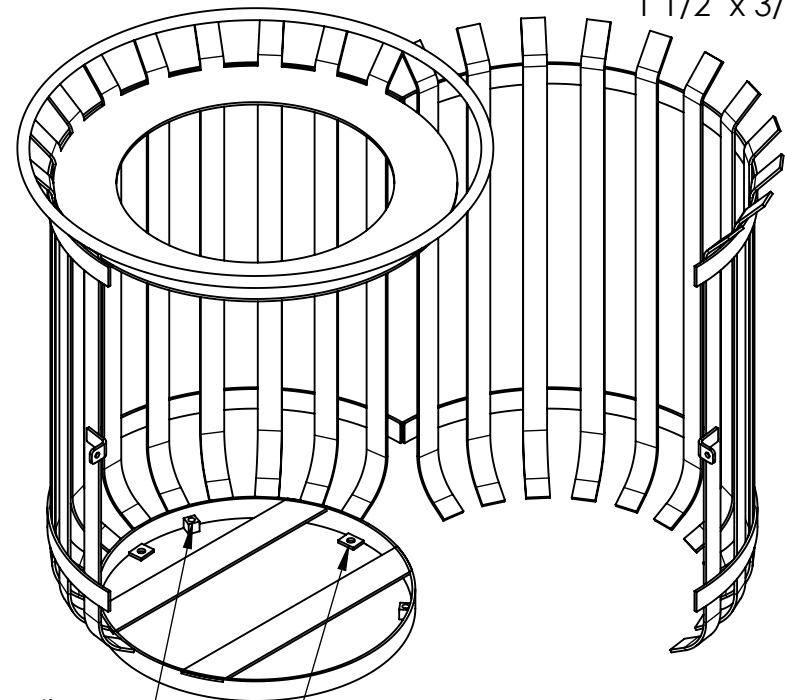
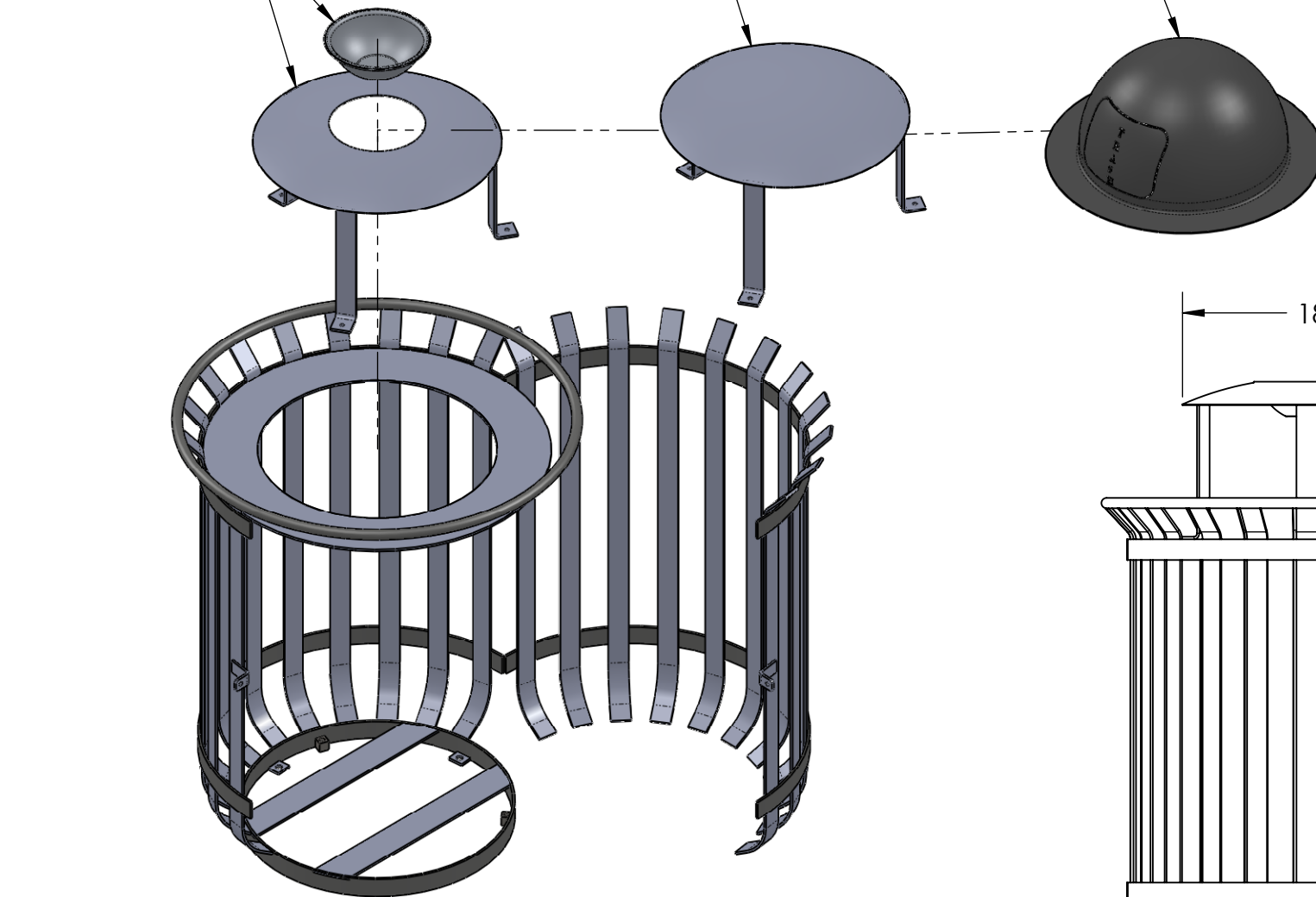
- All metal fabricated parts are etched, phosphatized, preheated, primer powder coated, and final coat electrostatically powder coated.
- Colors include: Black, Evergreen, Dark Green White, Tan, Dark Brown, and Blue
- Special order colors available.

LID OPTIONS INCLUDE:

Snuffer
Part # IVTR-CS

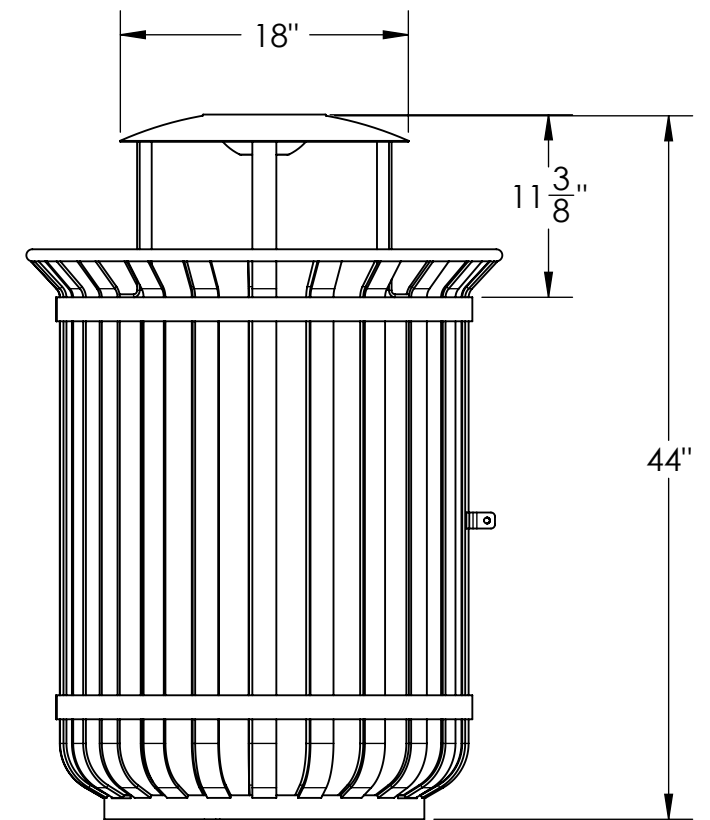
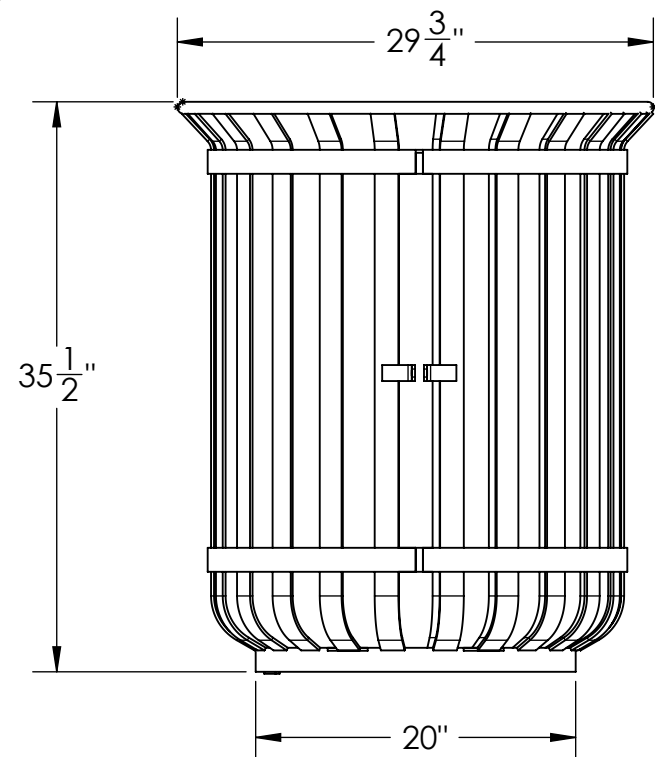
Rain Top
Part #IVTR-RT

Dome
Part #IVTR-D



(3) Leveling Feet

(4) 1 1/2" x 1/4" Tab For Mounting With 1/2" Hole



NOTE:
Liner included. Capacity - 45 gallons.



DESCRIPTION:

IRON VALLEY TRASH RECEPTACLE

ADDRESS:
1350 NORTH AVE.
SANGER, CALIFORNIA 93857
PHONE: (559) 875-8250
FAX: (559) 875-1491
kingsrivercasting@verizon.net

THE INFORMATION CONTAINED IN THIS DRAWING IS THE SOLE PROPERTY OF KINGS RIVER CASTING. ANY REPRODUCTION IN PART OR WHOLE WITHOUT THE WRITTEN PERMISSION OF KINGS RIVER CASTING IS PROHIBITED.

WEIGHT: 145 LBS
MODEL NUMBER: IVTR

SCALE: 1:12

SIZE
B