

211 North Lindbergh Blvd.
 St. Louis, MO 63141
 800.231.1327 tel. | 314.754.0835 fax
specify@anovafurnishings.com
 anovafurnishings.com

L1397 — Streetside 40 Gallon Receptacle, Contour Top

40-gallon steel slat trash receptacle with contour top, plastic liner and rubber feet



Material

The 40-gallon receptacle is 33.74" tall and is composed of 12-gauge slotted steel with a .75" gap vertical slotted pattern. The contour top is made of 14-gauge steel, features two 14" security straps and lifts off for easy trash removal.

The trash receptacle is designed to be portable for flexibility in placement or mounted in grass using the optional corkscrew anchor also available. Use pre-drilled 0.38" diameter mounting holes inside the receptacle base when attaching the corkscrew anchor. The rubber feet are adjustable to assist in leveling the receptacle. The reusable liner is made of high-density polyethylene.

Finish

Steel slats and the contour top are protected by the patented Fusion Advantage™ finish. The plastisol coating has an average thickness of .125" and is encapsulated with a richly tinted, high performance powder coating that won't rust, fade, peel, chip, crack, mold or mildew. The finish has been tested to the requirements of ASTM E1354 and determined to be in compliance with California Uniform Fire Code 1103.2.1.4.2.

Color

See website or sales representative for color choices.

Assembly

The receptacle ships fully assembled and ready for use. Using an optional corkscrew anchor may require some assembly. Leveling feet may require adjustments.

Maintenance

The product is virtually maintenance-free and requires only periodic cleaning with a sponge and a solution of mild detergent and water to remove surface dirt. Do not clean with solvent or petroleum base products.

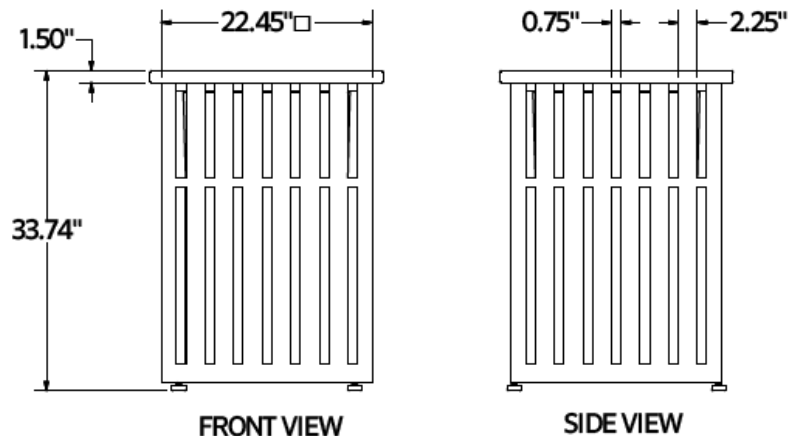
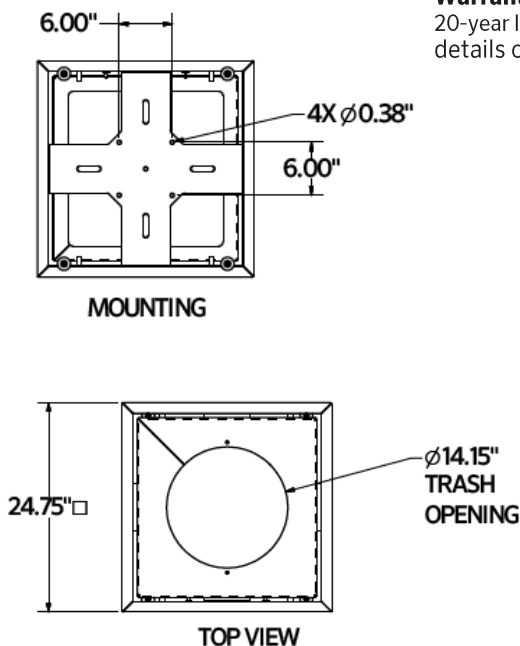
Warranty

20-year limited structural warranty with 7-year finish warranty from the date of purchase. See full details on multi-year warranties for components at www.anovafurnishings.com/warranty.aspx

Accessories

Corkscrew Anchor

A1020



SHIPPING INFORMATION

Unit Weight	Unit Shipping Wt. UPS	Unit Shipping Wt. Truck (1+ Units)	Unit Ship Size w/Pallet	Max Units Per Pallet	Pallet Size/Wt. (32" X 48")	Total No. Pkgs.	Shipping Class
140 lbs.	N/A	148 lbs./unit	38.22 cu. ft.	1	50 lbs.	1	150