



Assembly Instructions

Latitude

L1440A - Latitude 4' Contour Bench with Armrest

L1441A - Latitude 6' Contour Bench with Armrest

L1441P - Latitude 6' Contour Bench with Divided Seating

anovafurnishings.com

888.535.5005 tel

TOOLS NEEDED:

- 9/16" Open-end or box-end wrench
- 1/2" Open-end or box-end wrench
- 5/8" Open-end or box-end wrench
- Ratchet with 1/2", 9/16", 5/8" sockets
- 3/16" Allen Wrench
- Level



4' Contour Bench with Armrest

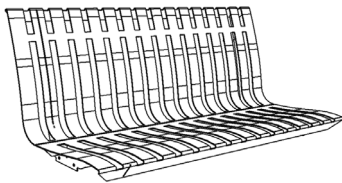


6' Contour Bench with Armrest

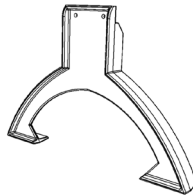


6' Contour Bench with Divided Seating

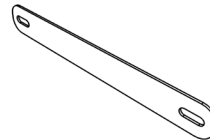
BENCH COMPONENTS:



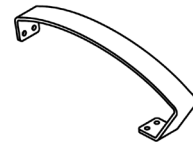
(1) Contour Seat



(2) Bench Legs

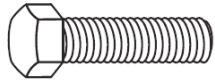


(2) Cross Braces



(2) Arm Rests

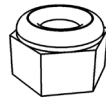
ASSEMBLY HARDWARE: All hardware is stainless steel.



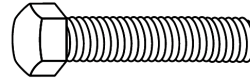
(4) 5/16"-18 X 1 1/4" Socket Head Bolts



(8) 5/16" Flat Washers



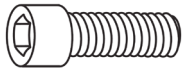
(4) 5/16"-18 Nylock Nuts



(4) 3/8"-16 X 1 1/2" Hex Head Bolts



(8) 3/8" Flat Washers



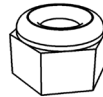
(8) 5/16"-18 X 1" Socket Head Bolts



(16) 5/16" Flat Washers



(8) 5/16"-18 Breakaway Nuts



(4) 3/8"-16 Nylock Nuts

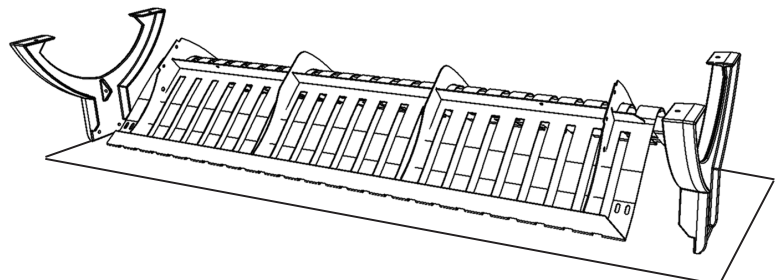
ASSEMBLY:

The assembly is a two-person operation.

1. Inspect the shipping container contents for damage and to determine that all components and hardware are present.
2. Lay all parts on a soft work surface or on the shipping packaging to prevent damage to finish.

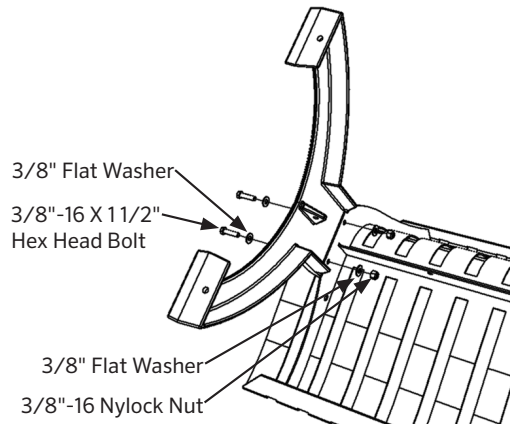
NOTE: Before assembling the nuts to the bolts, it is recommended that a light oil or petroleum jelly be applied to the screw threads.

3. Locate the bench legs and contour seat and place them as shown.



- Mount a bench leg to the contour seat by inserting two 3/8"-16 x 1 1/2" hex head bolts and two 3/8" flat washers through the mounting holes. Place a 3/8" flat washer and a 3/8"-16 nylock nut on the end of each bolt and tighten finger tight.

Repeat this step on the opposite side of the bench with the remaining bench leg.

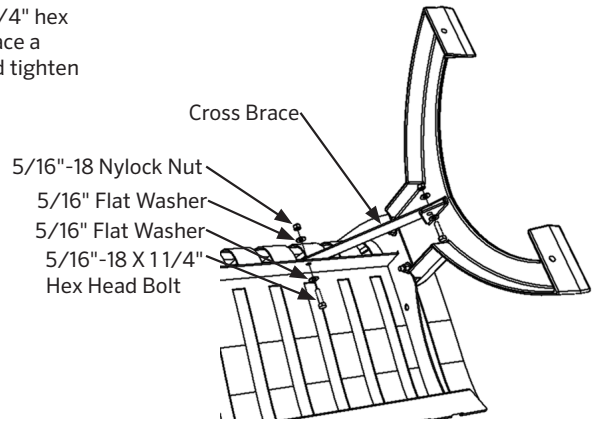
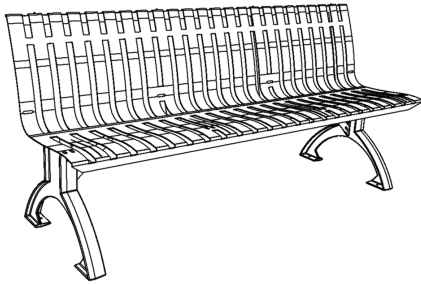


- Mount a cross brace to the contour seat by inserting two 5/16"-18 x 1 1/4" hex head bolts and two 5/16" flat washers through the mounting holes. Place a 5/16" flat washer and a 5/16"-18 nylock nut on the end of each bolt and tighten finger tight.

NOTE: The cross brace is placed on the backside of the bench leg.

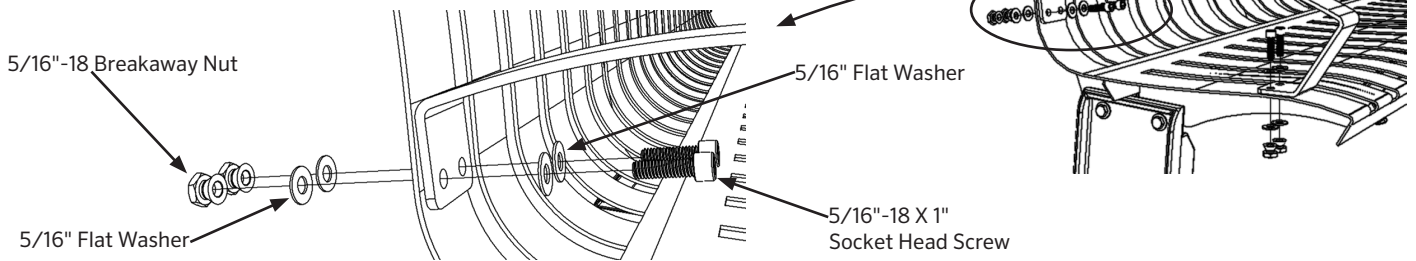
Repeat this step on the opposite side of the bench.

- Position the bench upright.



- Mount an arm rest to the contour seat by inserting four 5/16"-18 x 1" socket head screws and four 5/16" flat washers through the mounting holes. Place a 5/16" flat washer and a 5/16"-18 nylock nut on the end of each screw and tighten finger tight.

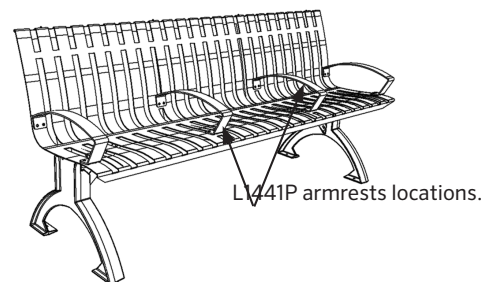
Repeat this step on the opposite side of the bench.

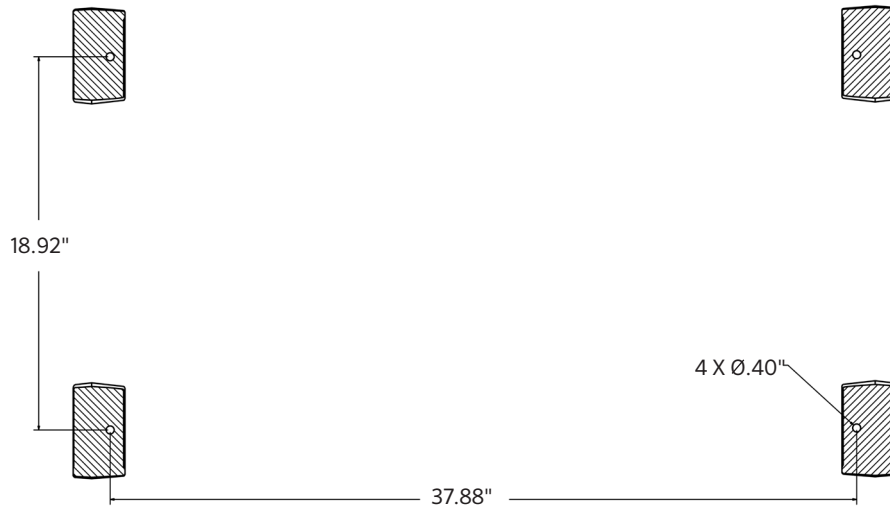


- Repeat step 7 to install the two remaining armrest if L1441P was purchased.

- Tighten all of the hardware while checking with a level.

- After two weeks, retighten all of the hardware.

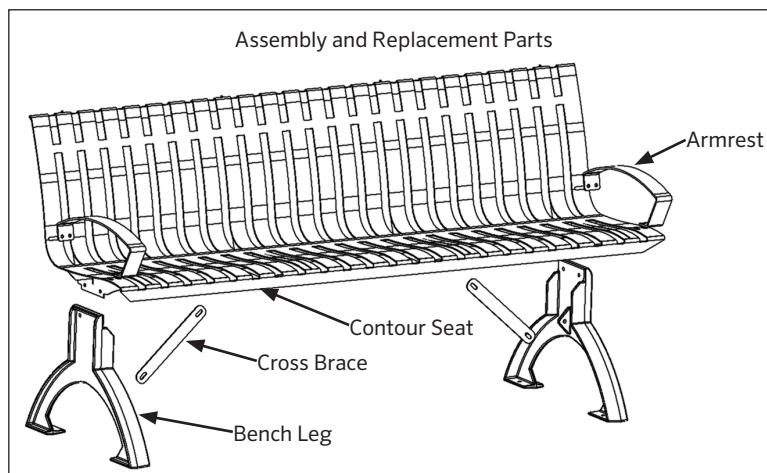




L1440 - 4' Latitude Bench Foot Mount



6' Latitude Bench Foot Mount



Note: Please contact Customer Care at 1-866-797-1761 when ordering replacement parts.

 WARNING	<ul style="list-style-type: none"> Furniture must not be used other than for its intended purposes and should be inspected regularly for loose, missing, or broken hardware, and general instability. Furniture that is damaged or appears to be unstable must be removed from service and be repaired or replaced. Repairs must be made using only factory authorized parts and methods.
--------------------	--

CARE AND MAINTENANCE	<ul style="list-style-type: none"> Do not drag the assembled unit across any surface. This product requires only periodic cleaning with a sponge and a solution of mild detergent and water to remove surface dirt. Do not clean with a solvent or petroleum based products.
-----------------------------	--