



L2015 — Metrix 4' Contour Bench

4' contour steel bench with tubular seat, back and portable/surface mount legs

Material

The 4' contour bench seat and back is composed of 1" x 2" rectangular, 14-gauge steel tubing.

The support frame, including legs, is 2" square, 12-gauge steel tubing. The bench is 48" long and will support 200 lbs. per linear foot.

The bench is designed to be portable for flexibility in placement or can be surface mounted. Each leg has an adjustable leveler foot which features a predrilled .4" diameter hole for surface mounting to prevent movement. Mounting hardware is not included.

Finish

Fade-resistant, powder coated steel features a state-of-the-art primer proven to prevent rusting. Treated components exceed the industry standard by 34% in testing by independent sources.

Color

See website or sales representative for color choices.

Assembly

The bench is shipped fully assembled and ready for use.

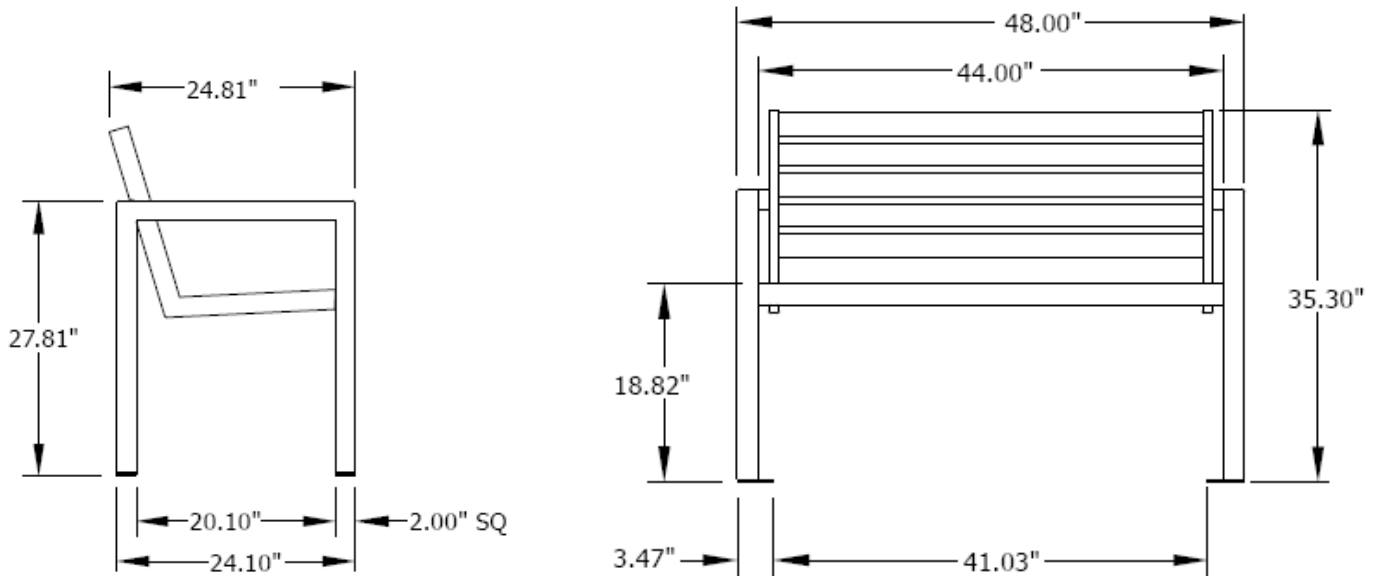
Maintenance

The product is virtually maintenance-free and requires only periodic cleaning with a sponge and a solution of mild detergent and water to remove surface dirt. Do not clean with solvent or petroleum base products.

Warranty

20-year limited structural warranty with 7-year finish warranty against fading; 3-year finish warranty on powder coated steel components against rusting, peeling, chipping, cracking, mold, mildew and defects in materials and/or workmanship. See full details on multi-year warranties for components at

<https://www.anovafurnishings.com/warranty>



SHIPPING INFORMATION

Unit Weight	Unit Shipping Wt. UPS	Unit Shipping Wt. Truck (1+ Units)	Unit Ship Size w/Pallet	Max Units Per Pallet	Pallet Size/Wt. (32" x 48")	Total No. Pkgs.	Shipping Class
121 lbs.	N/A	136 lbs./unit	37 cu. ft.	1	50	1	70