



211 North Lindbergh Blvd.  
 St. Louis, MO 63141  
 800.231.1327 tel. | 314.754.0835 fax  
[specify@anovafurnishings.com](mailto:specify@anovafurnishings.com)  
 anovafurnishings.com

**L2019 — Metrix Trash Receptacle with Dual Side Openings and Side Door**

40-gallon steel slat trash receptacle with contour top, plastic liner, rubber feet and optional recycle decal (when specified)

**Material**

The receptacle is 43.60" tall and is composed of 10-gauge slotted steel with a .63" gap vertical slotted pattern. The side door features a full-length, heavy-duty steel hinge and a tamper-resistant cam lock and key system. The receptacle has two 7.25" high and 13.29" wide waste openings located on opposite sides of each other. The contour top is made of 16-gauge galvanized steel.

Optional decals are available. Choose "Bottles/Cans" with recycling logo, "Mixed Recycling" with recycling logo or "Trash" decal—custom decals also available. Specify black or white lettering. Decals will be factory installed and must be specified at the time of order.

The receptacle is designed to be portable for flexibility in placement or surface mounted using pre-drilled 0.32" diameter holes inside the base to prevent movement. Mounting hardware is included. The rubber feet are adjustable to assist in leveling the receptacle. The reusable plastic liner is made of high-density polyethylene.

**Finish**

Fade-resistant, powder coated steel features a state-of-the-art primer proven to prevent rusting. Treated components exceed the industry standard by 34% in testing by independent sources.

**Color**

See website or sales representative for color choices.

**Assembly**

The receptacle ships fully assembled and ready for use.

**Maintenance**

The product is virtually maintenance-free and requires only periodic cleaning with a sponge and a mild detergent and water solution to remove surface dirt. Do not clean with solvent or petroleum base products.

**Warranty**

20-year limited structural warranty with 7-year finish warranty against fading; 3-year finish warranty on powder coated steel components against rusting, peeling, chipping, cracking, mold, mildew and defects in materials and/or workmanship. See full details on multi-year warranties for components at <https://www.anovafurnishings.com/warranty>

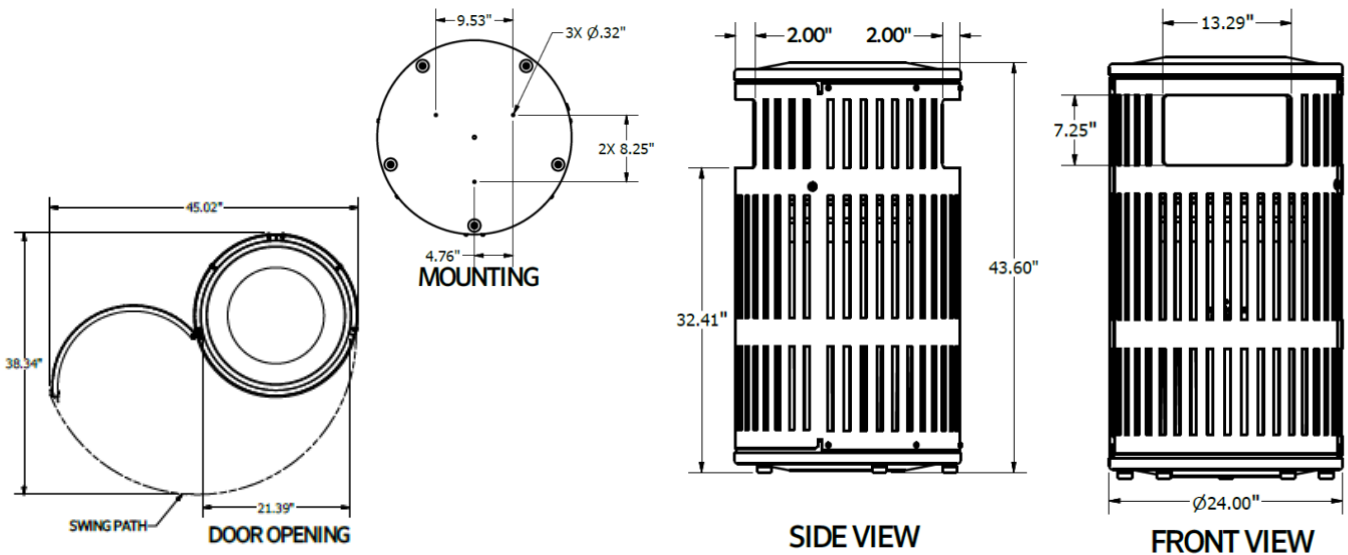


**Replacement Parts**

Black Plastic Liner R-DOM1012

**Decals**

Trash Logo-White DEC2000  
 Trash Logo-Black DEC2002  
 Bottles/Cans Logo-White DEC2008  
 Bottles/Cans Logo-Black DEC2010  
 Mixed Recycling Logo-White DEC5000  
 Mixed Recycling Logo-Blk DEC5002



**SHIPPING INFORMATION**

Unit Weight	Unit Shipping Wt. UPS	Unit Shipping Wt. Truck (1+ Units)	Unit Ship Size w/Pallet	Max Units Per Pallet	Pallet Size/Wt. (32" x 48")	Total No. Pkgs.	Shipping Class
126 lbs.	N/A	137 lbs./unit	39 cu. ft.	4	50 lbs.	1	100