



211 North Lindbergh Blvd.
 St. Louis, MO 63141
 800.231.1327 tel. | 314.754.0835 fax
specify@anovafurnishings.com
 anovafurnishings.com

L2020A— Metrix Recycler with Dual Side Openings, Side Door and Ash Top



40-gallon steel slat recycler with ashtray top, plastic liner, rubber feet and optional recycle decal (when specified)

Material
 The receptacle is 43.60" tall and is composed of 10-gauge slotted steel with a .63" gap vertical slotted pattern. The side door features a full-length, heavy-duty steel hinge and a tamper-resistant cam lock and key system. The receptacle has two 5" high and 5" wide recycle openings located on opposite sides of each other. The contour top is made of 16-gauge galvanized steel with a 10" diameter ashtray that includes 5 lbs. of black beauty sand substitute.

Optional decals are available. Choose "Bottles/Cans" with recycling logo, "Mixed Recycling" with recycling logo or "Trash" decal—custom decals also available. Specify black or white lettering. Decals will be factory installed and must be specified at the time of order.

The receptacle is designed to be portable for flexibility in placement or surface mounted using pre-drilled 0.32" diameter holes inside the base to prevent movement. Mounting hardware is included. The rubber feet are adjustable to assist in leveling the receptacle. The reusable plastic liner is made of high-density polyethylene.

Finish
 Fade-resistant, powder coated steel features a state-of-the-art primer proven to prevent rusting. Treated components exceed the industry standard by 34% in testing by independent sources.

Color
 See website or sales representative for color choices.

Assembly
 The receptacle ships fully assembled and ready for use.

Maintenance
 The product is virtually maintenance-free and requires only periodic cleaning with a sponge and a mild detergent and water solution to remove surface dirt. Do not clean with solvent or petroleum base products.

Warranty
 20-year limited structural warranty with 7-year finish warranty against fading; 3-year finish warranty on powder coated steel components against rusting, peeling, chipping, cracking, mold, mildew and defects in materials and/or workmanship. See full details on multi-year warranties for components at <https://www.anovafurnishings.com/warranty>

Replacement Parts

Black Plastic Liner R-DOM1012

Decals

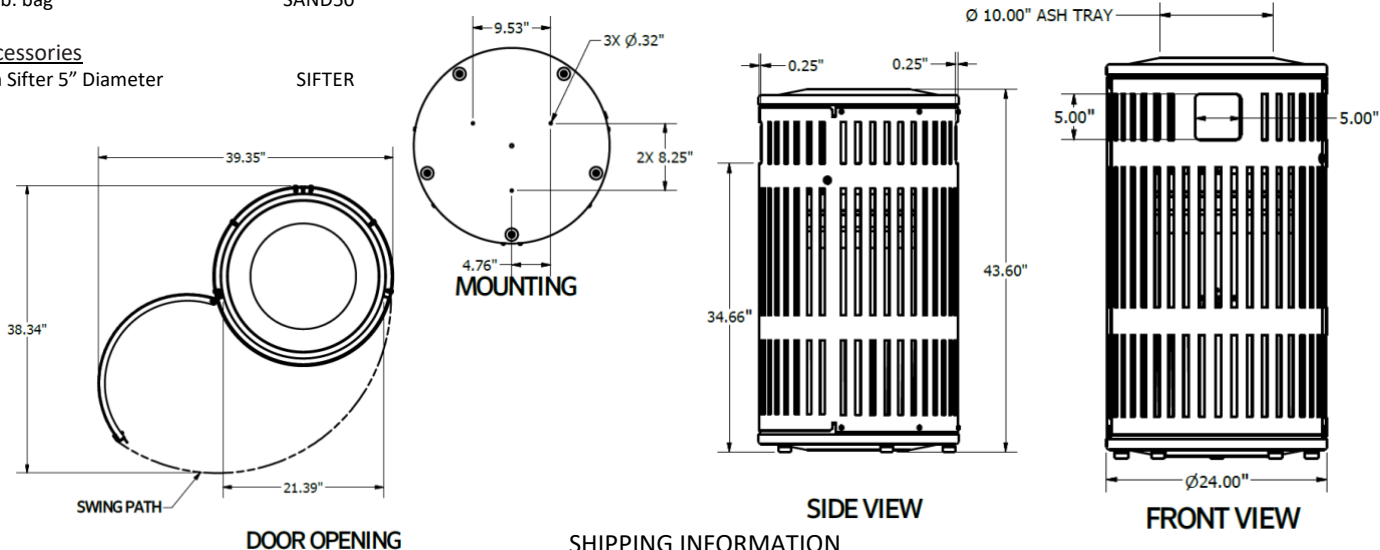
- Trash w/Logo-White DEC2000
- Trash w/Logo-Black DEC2002
- Bottles/Cans w/Logo-White DEC2008
- Bottles/Cans w/Logo-Black DEC2010
- Mixed Recycling w/Logo-Wht DEC5000
- Mixed Recycling w/Logo-Blk DEC5002

Black Beauty Sand Replacement

- 5 lb. bag SAND5
- 10 lb. bag SAND10
- 25 lb. bag SAND25
- 50 lb. bag SAND50

Accessories

Ash Sifter 5" Diameter SIFTER



Unit Weight	Unit Shipping Wt. UPS	Unit Shipping Wt. Truck (1+ Units)	Unit Ship Size w/Pallet	Max Units Per Pallet	Pallet Size/Wt. (32" x 48")	Total No. Pkgs.	Shipping Class
131 lbs.	N/A	142 lbs./unit	39 cu. ft.	4	50 lbs.	1	100