



211 North Lindbergh Blvd.
 St. Louis, MO 63141
 800.231.1327 tel. | 314.754.0835 fax
specify@anovafurnishings.com
 anovafurnishings.com

L2055 — Latitude Side Opening Receptacle with Bonnet Top

55-gallon steel slat receptacle with side opening door, bonnet top, plastic liner and rubber feet.

Material

The receptacle is 45.96" tall and is composed of 14-gauge steel with a .75" gap vertical slotted pattern. The receptacle features a side opening door that pivots on heavy-duty steel hinges. The door features a tab that may be used with a lock (lock not included) to prevent unauthorized opening and a door pin with a nylon coated stainless steel security cable. The built-in bonnet top is made of 18-gauge spun steel with 1.25" square tube frame and 10-gauge base.

The receptacle is designed to be portable for flexibility in placement or surface mounted using pre-drilled .038" diameter holes inside the base to prevent movement; optional corkscrew anchor is available. The rubber feet are adjustable to assist in leveling the receptacle. The reusable plastic liner is made of black low-density polyethylene.

Finish

Steel slats are protected by the patented Fusion Advantage™ finish. The plastisol coating has an average thickness of .125" and is encapsulated with a richly tinted, high-performance powder coating that won't rust, fade, peel, chip, crack, mold or mildew. The finish has been tested to the requirements of ASTM E1354 and determined to be in compliance with California Uniform Fire Code 1103.2.1.4.2.

Fade-resistant, powder coated steel top features a state-of-the-art primer proven to prevent rusting. Treated components exceed the industry standard by 34% in testing by independent sources.

Color

See website or sales representative for color choices.

Assembly

The receptacle is shipped fully assembled and ready for use. Using an optional corkscrew anchor may require some assembly.

Maintenance

The product is virtually maintenance-free and requires only periodic cleaning with a sponge and a solution of mild detergent and water to remove surface dirt. Do not clean with solvent or petroleum base products.

Warranty

20-year limited structural warranty with 7-year finish warranty from the date of purchase. See full details on multi-year warranties for components at www.anovafurnishings.com/warranty.aspx.

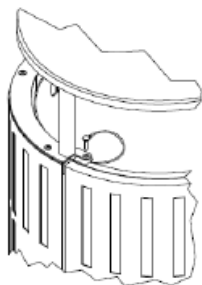


Replacement Parts

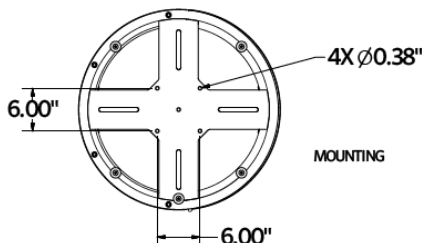
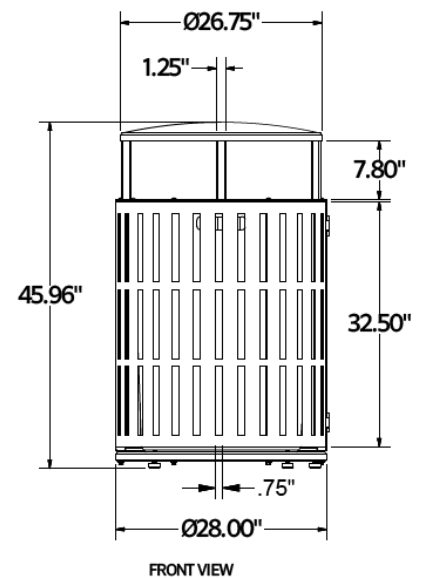
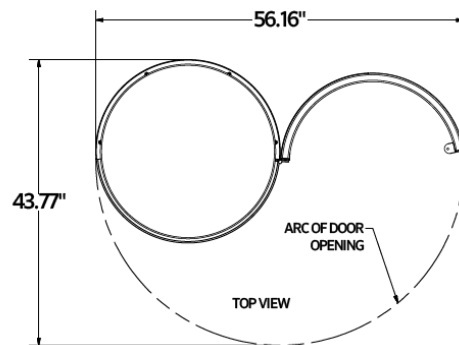
Black Plastic Liner R-DOM1013

Accessories

Corkscrew Anchor A1020



Door Pin with Security Cable



MOUNTING