



# ASSEMBLY INSTRUCTIONS

L3015HX - Hexagonal ADA Table

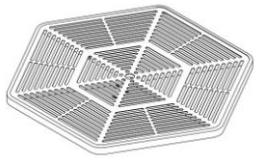
anovafurnishings.com  
888.535.5005 tel



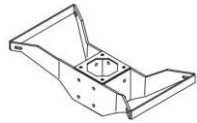
### TOOLS NEEDED:

- Ratchet with 1/2" socket
- Ratchet with 9/16" socket
- 1/2" Open end or box end wrench
- 9/16" Open end or box end wrench
- #4 Phillips screwdriver

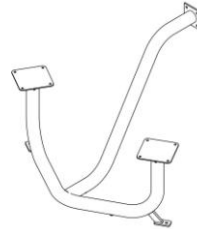
### TABLE COMPONENTS:



(1) Table Top



(1) Table Top Bracket



(2) Seat Supports



(4) Seats

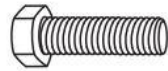


(4) Seat Mounts

### ASSEMBLY HARDWARE: All hardware is stainless steel.



(20) 5/16"-18 x 1 1/4"  
Hex Head Bolts



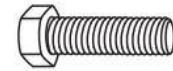
(16) 5/16"-18 x 1"  
Hex Head Bolts



(36) 5/16"  
Nylock Nuts



(72) 5/16"  
Flat Washers



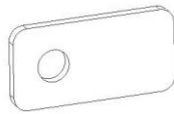
(8) 3/8"-16 x 1 1/4"  
Hex Head Bolts



(16) 3/8"  
Flat Washers



(8) 3/8"  
Nylock Nuts



(4) Plastic Rectangular  
Feet



(4) Adhesive Strips



(6) 1/4" -20 x 1"  
Phillips Head Screws



(6) Rubber Feet

### ASSEMBLY:

The assembly is a two-person operation.

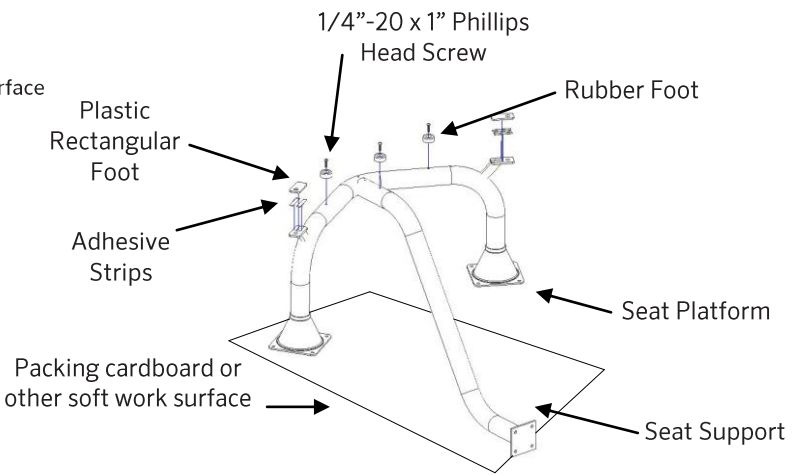
1. Inspect the shipping container contents for damage and to determine that all components and hardware are present.
2. Assemble the table over the shipping packaging or padded work area to avoid scratching the product.

**NOTE:** Before assembling the nuts to the bolts, it is recommended that a light oil or petroleum jelly be applied to the screw threads.

3. Locate the seat support and place the support on the work surface upside down with the seat platforms oriented downward.

4. Apply an adhesive strip to the plastic rectangular feet. Then firmly apply the plastic rectangular foot to the metal foot of the seat support aligning the holes in each. Repeat for the remaining feet.

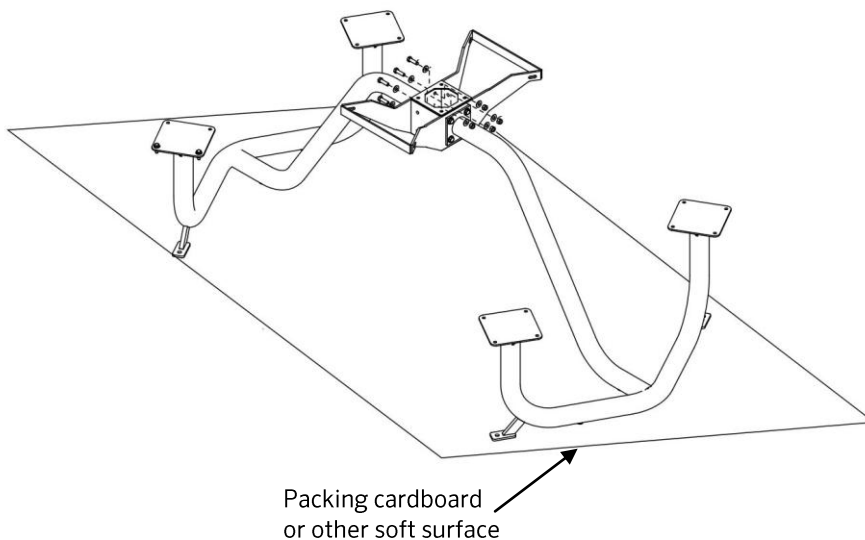
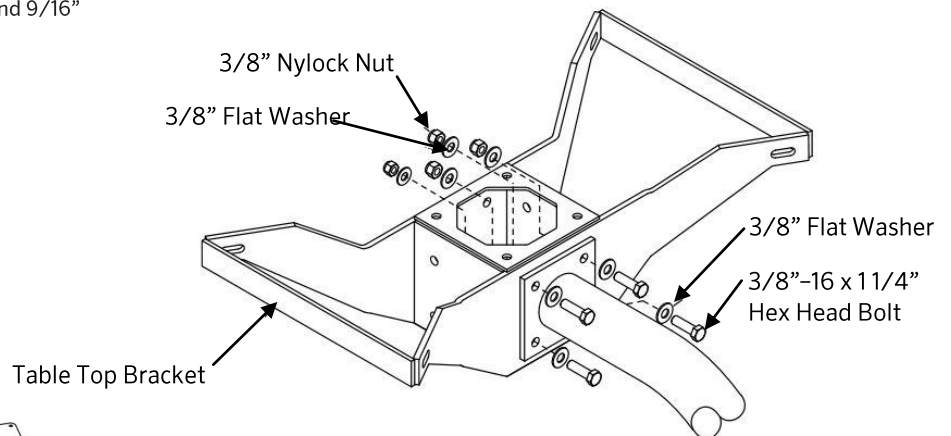
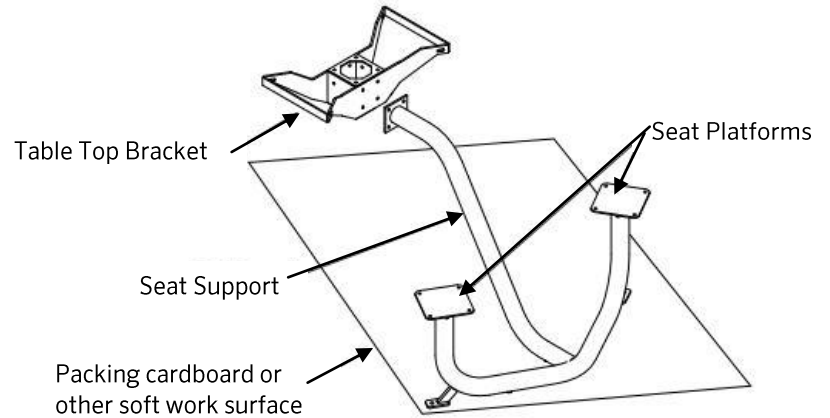
5. Locate the rubber feet and 1/4"-20 x 1" Phillips head screws. Insert a screw through the rubber foot into the pre-drilled hole in the seat support and tighten screw with the #4 Phillips screwdriver. Once all six rubber feet are installed turn the unit over so that the feet are contacting the work surface.



6. Locate the table top bracket. Place 3/8" flat washers on four 3/8"-16 x 1 1/4" hex head bolts and insert the bolts through the four mounting holes in the seat support end plate and into the matching holes in the table top bracket. Place 3/8" flat washers and 3/8" Nylock nuts on the end of the bolts and finger tighten.

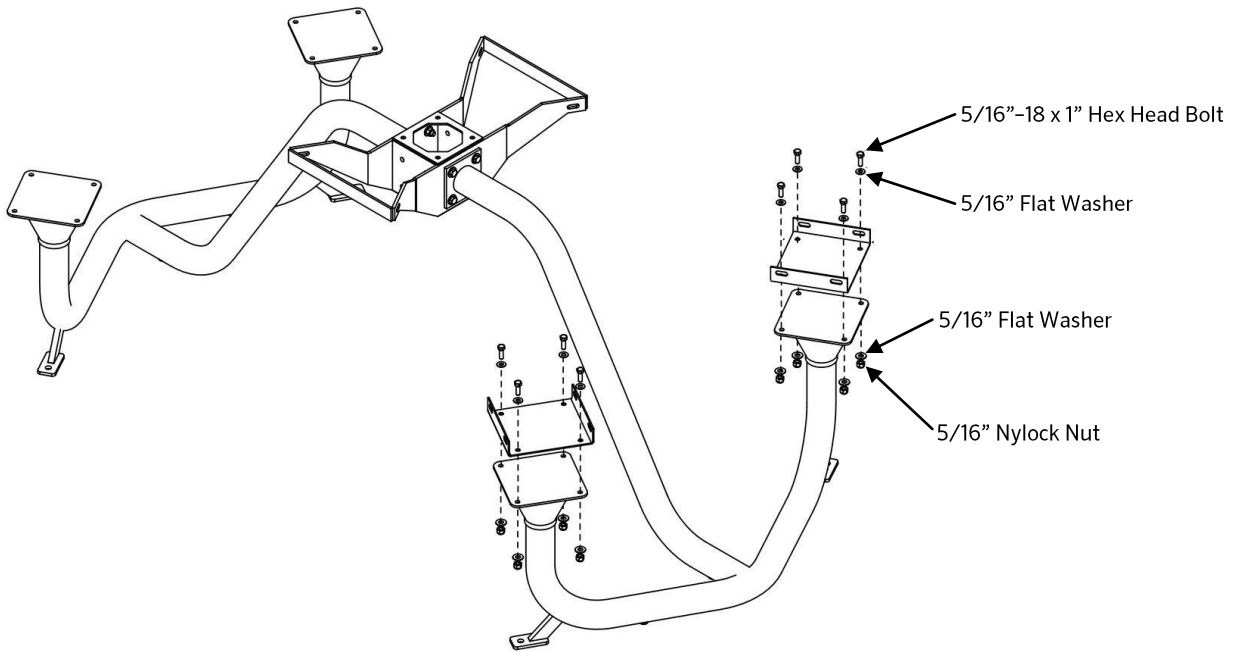
Attach the other seat support to the sides of the table top bracket in the same manner.

After all bolts are installed, use a 9/16" wrench and 9/16" ratchet to tighten



7. Locate one of the seat mounts. Position the seat mount on one of the seat platforms so that the mounting holes on the seat mount align with the mounting holes on the seat platform. Place 5/16" flat washers on four 5/16"-18 x 1" hex head bolts and insert the bolts through the seat mount and the seat platform. Place 5/16" flat washers and 5/16" Nylock nuts on the end of the bolts and finger tighten. After all four bolts are installed, tighten using a 1/2" wrench and 1/2" ratchet.

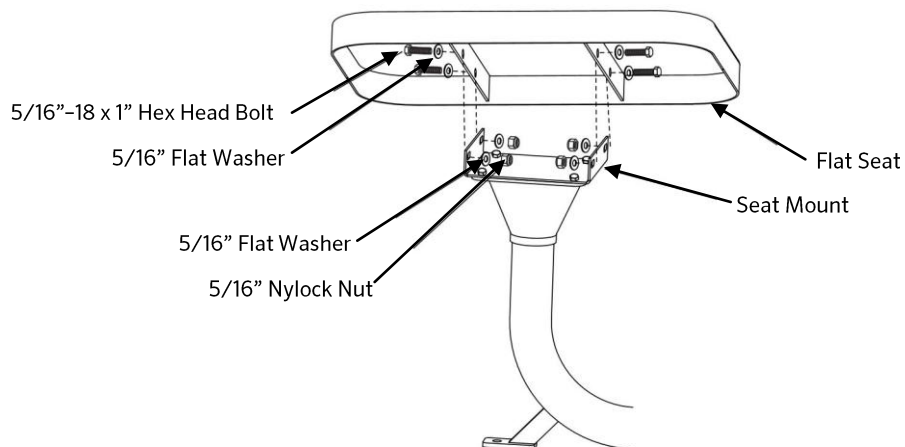
Install the remaining seat mounts in the same manner.



8. Place one of the seats over one of the seat mounts so that all the mounting holes line up. Place 5/16" flat washers on four 5/16"-18 x 1" hex head bolts and insert the bolts through the seat mounting holes into the corresponding holes in the seat mount. Place 5/16" flat washers and 5/16" Nylock nuts on the end of the bolts and finger tighten. After all four bolts are installed, tighten using a 1/2" wrench and 1/2" ratchet.

**NOTE: Holding the screw still and turning the Nylock nut protects the finish on the seat from scratching and chipping during installation.**

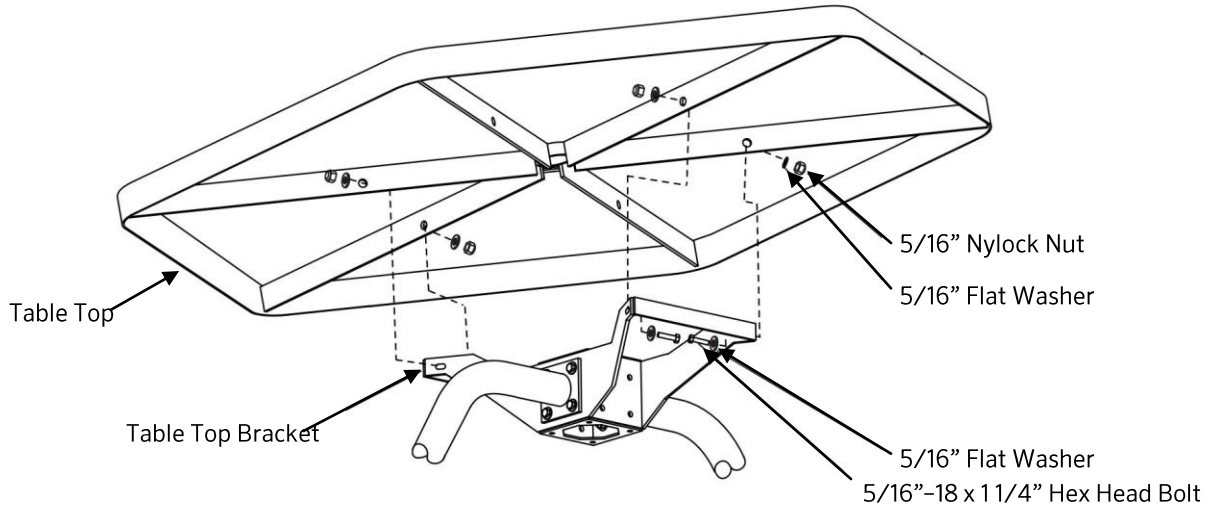
Install the remaining seats in the same manner.



9. Lift the table top and position it over the table top bracket. Rotate the table top until the frame on the bottom of the table top matches the orientation of the table top bracket. Carefully lower the table top down onto the table top bracket.

Secure the table top to the table top bracket using 5/16" flat washers on four 5/16"-18 x 1 1/4" hex head bolts. Insert the bolts with washers from inside the bracket and place 5/16" flat washers and 5/16" Nylock nuts on the end of the bolts at the outside of the table top frame. You may have to lift the table top slightly to get the holes to align.

Leave the bolts finger tight until all are started, then use the 1/2" wrench and 12" ratchet to tighten.

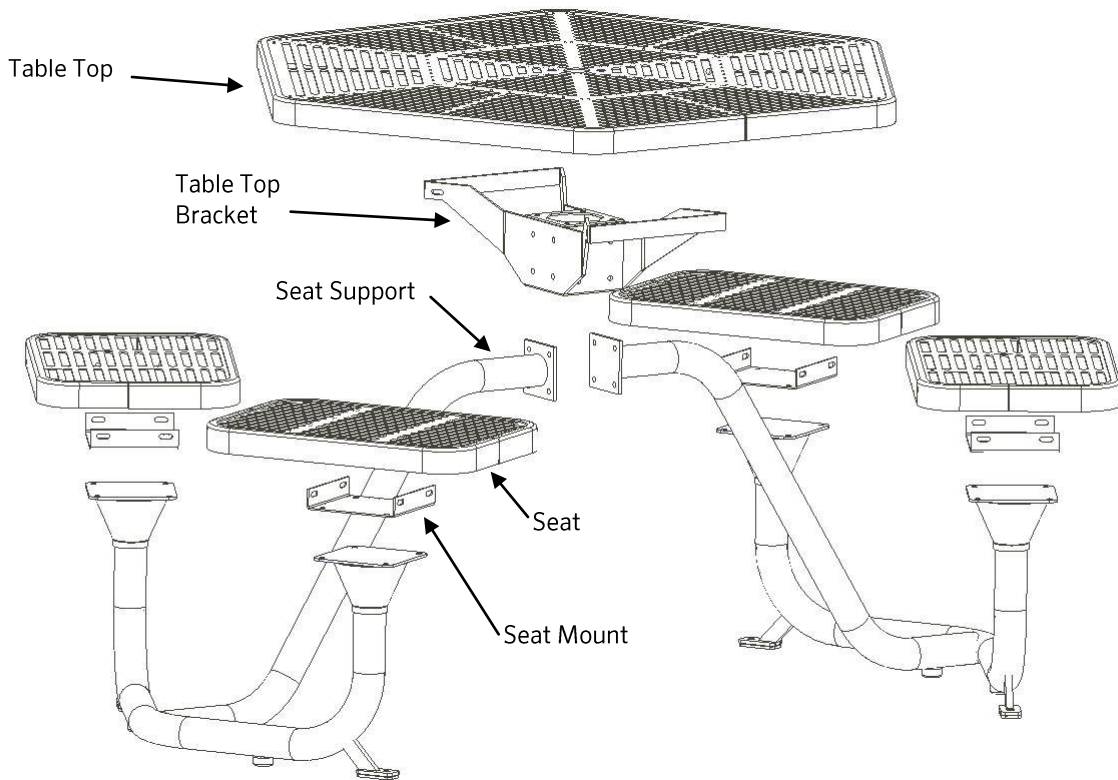


10. Move the table to the location where it will be used.

**NOTE: This table is required to be surface mounted prior to use. Follow surface mount instructions provided with the surface mount hardware that you purchase locally.**

11. After two weeks, retighten all of the hardware.

### Assembly and Replacement Parts



**NOTE:** Please contact Customer Care at 1-866-797-1761 to receive assistance in placing a replacement part order.



#### **WARNING**

- Furniture must not be used other than for its intended purpose and should be inspected regularly for loose, missing, or broken hardware, and general instability.
- Furniture that is damaged or appears to be unstable must be removed from service and be repaired or replaced.
- Repairs must be made using only factory authorized parts and methods.

#### **CARE AND MAINTENANCE**

- Do not drag the assembled unit across any surface.
- This product requires only periodic cleaning with a sponge and a solution of mild detergent and water to remove surface dirt. Do not clean with a solvent or petroleum based products.