



211 North Lindbergh Blvd.
 St. Louis, MO 63141
 800.231.1327 tel. | 314.754.0835 fax
specify@anovafurnishings.com
anovafurnishings.com

LBCBR2— Beacon Hill Powder Coated Steel Bike Rack

Beacon Hill powder coated steel bike rack with standard medallion design, surface mount



Material

The bike rack is made from 2.38" O.D., 11-gauge, steel tube support sections. The 16" diameter steel center medallion is welded in place and features a bicycle design with sprocket cut-out edges. Bike rack will accommodate up to two bikes, one on each side of the rack.

The bike rack is designed to be surface mounted. The bike rack feet have predrilled .5" diameter holes for surface mounting to prevent movement. Surface mounting is required; mounting hardware is not included.

Finish

Fade-resistant, powder coated steel features a state-of-the-art primer proven to prevent rusting. Treated components exceed the industry standard by 34% in testing by independent sources.

Color

See website or sales representative for color choices.

Assembly

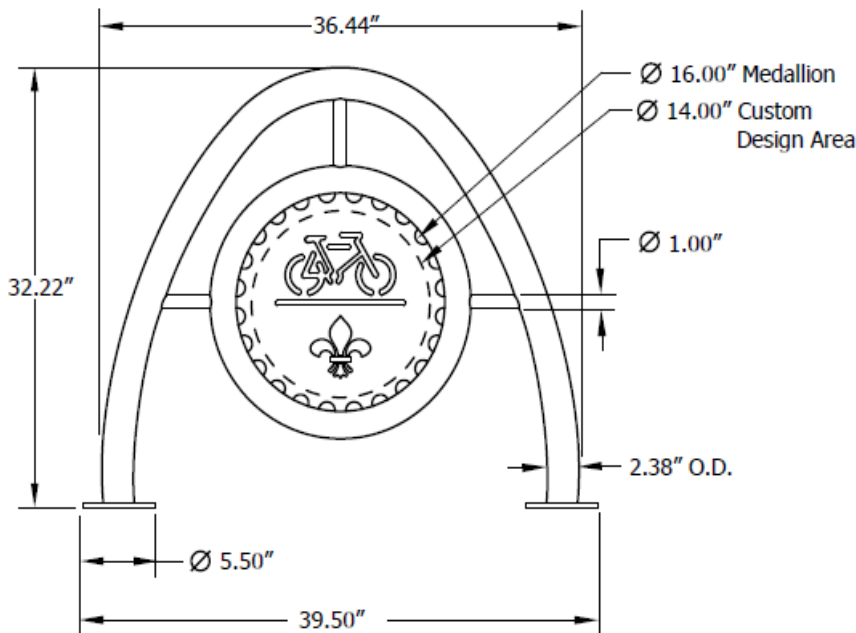
The bike rack ships fully assembled and ready for use. Surface mounting may require some assembly.

Maintenance

The product is virtually maintenance-free and requires only periodic cleaning with a sponge and a solution of mild detergent and water to remove surface dirt. Do not clean with solvent or petroleum base products.

Warranty

20-year limited structural warranty with 7-year finish warranty against fading; 3-year finish warranty on powder coated steel components against rusting, peeling, chipping, cracking, mold, mildew and defects in materials and/or workmanship. See full details on multi-year warranties for components at <https://www.anovafurnishings.com/warranty>.



SHIPPING INFORMATION

Unit Weight	Unit Shipping Wt. UPS	Unit Shipping Wt. Truck (1+ Units)	Unit Ship Size w/Pallet	Max Units Per Pallet	Pallet Size/Wt. (48" X 32")	Total No. Pkgs.	Shipping Class
40 lbs.	N/A	45 lbs./unit	10 cu. ft.	6	50 lbs.	1	70