



211 North Lindbergh Blvd.  
 St. Louis, MO 63141  
 800.231.1327 tel. | 314.754.0835 fax  
[specify@anovafurnishings.com](mailto:specify@anovafurnishings.com)  
[anovafurnishings.com](http://anovafurnishings.com)

## LBCBR— Beacon Hill Stainless Steel Bike Rack

Beacon Hill stainless steel bike rack with standard medallion design, surface mount

### Material

The bike rack is made from 2.38" O.D. Schedule 10, 316L stainless steel pipe support sections. The 16" diameter stainless steel center medallion is welded in place and features a bicycle design with sprocket cut-out edges. 316/316L stainless steel derives its advantage through an addition of at least 2% molybdenum. Molybdenum provides increased resistance to corrosion including sea water and deicing salt environments. Bike rack will accommodate up to two bikes, one on each side of the rack.

The bike rack is designed to be surface mounted. The bike rack feet have predrilled .5" diameter holes for surface mounting to prevent movement. Surface mounting is required; mounting hardware is not included. Stainless steel hardware recommended to prohibit rusting.

### Finish

316/316L stainless steel is highly resistant to salt corrosion, rusting, pitting, and cracking. It remains clean and rust-free without paint or alternative finish.

### Color

See website or sales representative for color choices.

### Assembly

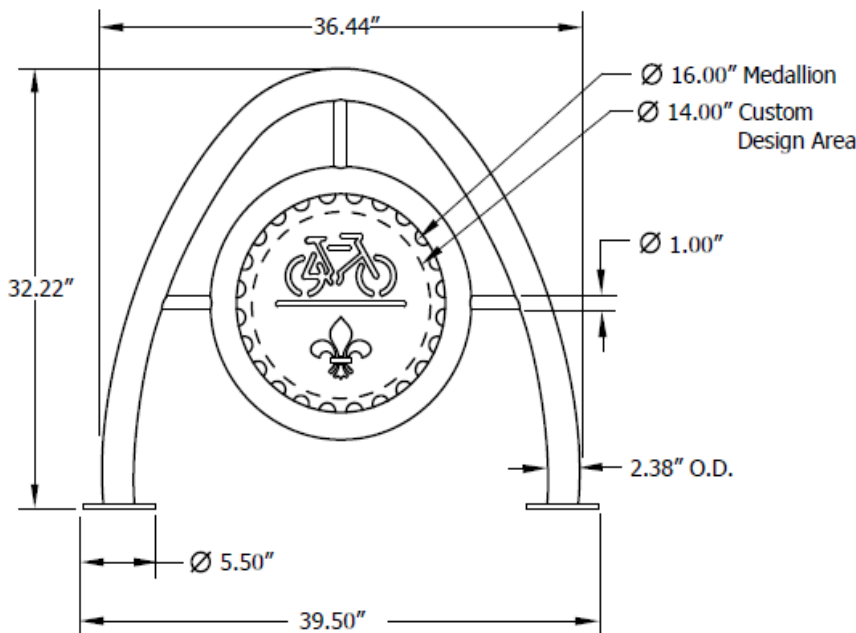
The bike rack ships fully assembled and ready for use. Surface mounting may require some assembly.

### Maintenance

Clean periodically, as conditions dictate. See ANOVA® stainless steel care guide at <http://www.anovafurnishings.com/sites/default/files/products/CIRCLEBRS2/resources/stainless-steel-maintenance.pdf>.

### Warranty

20-year limited structural warranty from the date of purchase. See full details on multi-year warranties for components at [www.anovafurnishings.com/warranty.aspx](http://www.anovafurnishings.com/warranty.aspx).



## SHIPPING INFORMATION

Unit Weight	Unit Shipping Wt. UPS	Unit Shipping Wt. Truck (1+ Units)	Unit Ship Size w/Pallet	Max Units Per Pallet	Pallet Size/Wt. (48" X 32")	Total No. Pkgs.	Shipping Class
40 lbs.	N/A	45 lbs./unit	10 cu. ft.	6	50 lbs.	1	250