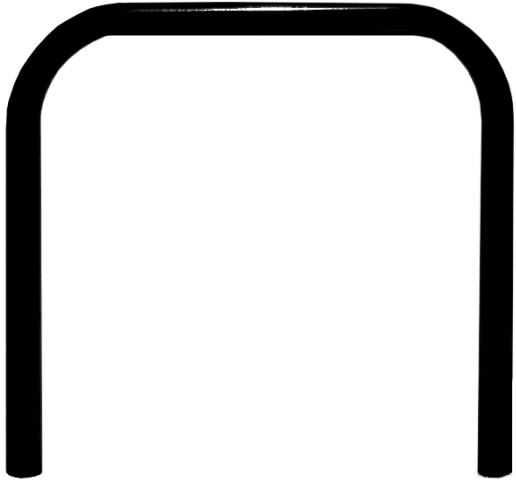


211 North Lindbergh Blvd.
 St. Louis, MO 63141
 888.535.5005 tel
 314.754.0835 fax
 specify@anovafurnishings.com
 anovafurnishings.com



LBR2PING
U-BIKE RACK
 2-bike capacity, powder coated,
 in ground mount bike rack

Material

The bike rack is 32.38" wide and can accommodate 2 bicycles. The rack is made from 2.38" O.D. x 10-gauge wall steel tubing. The product is protected with FusionGuard® rust protection and is finished with a high-gloss powder coat. The legs are designed to extend 10" into the ground for a sturdy in ground mount.

Finish

Fade-resistant powder coated steel components feature a state-of-the art primer proven to prevent rusting. Treated components exceed the industry standard by 34% in testing by independent sources.

Color

See website or sales representative for color choices.

Assembly

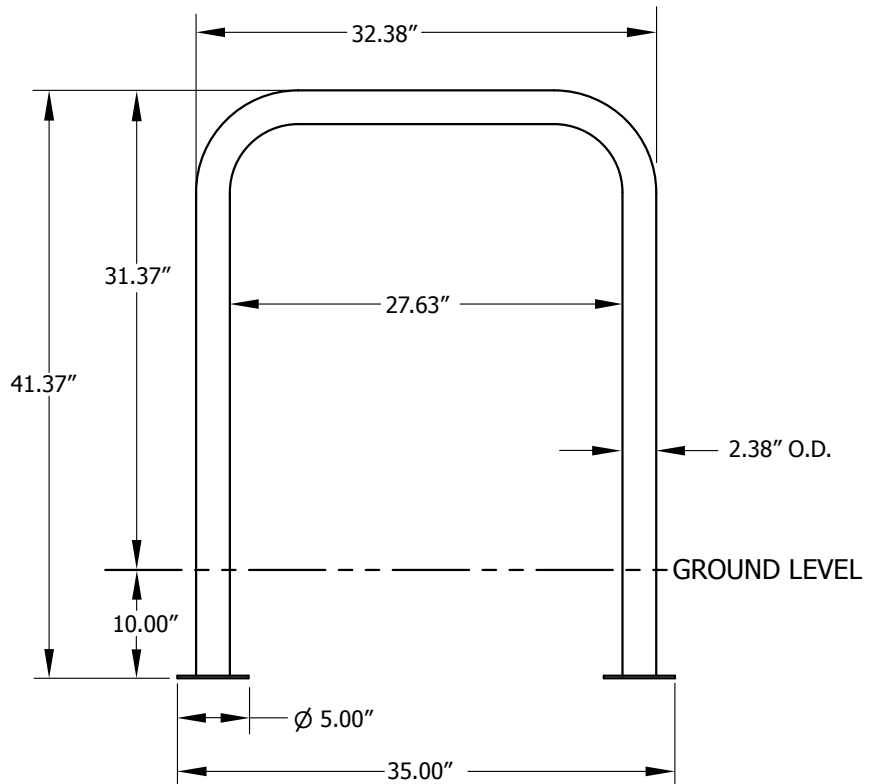
The bike rack requires no assembly except for the in ground mounting.

Maintenance

The product is virtually maintenance-free and requires only periodic cleaning with a sponge and a solution of mild detergent and water to remove surface dirt. Do not clean with solvent or petroleum based products.

Warranty

20-year limited structural warranty with 7-year finish warranty against fading; 3-year finish warranty on powder coated metal components against rusting, peeling, chipping, cracking, mold, mildew and defects in materials and/or workmanship. See full details on multi-year warranties for components at <https://www.anovafurnishings.com/warranty>



Shipping Information

Unit Wt.	Unit Shipping Wt. UPS	Unit Shipping Wt. Truck (1+ Units)	Unit Ship Size w/Pallet	Max Units per Pallet	Pallet Wt. (48" x 32")	Total No. Pkgs	Shipping Class
22 lbs	N/A	28 lbs/unit	10 cu. ft.	12	50 lbs	1	70