



211 North Lindbergh Blvd.
 St. Louis, MO 63141
 800.231.1327 tel. | 314.754.0835 fax
specify@anovafurnishings.com
anovafurnishings.com

LBR3PING — Streetside 1-Loop Bike Rack with 3-Bike Capacity, Powder Coated Finish and Inground Mount



One-loop steel tubular bike rack with three-bike capacity, powder coated finish and inground mount

Material

The bike rack is 14.63" wide and can accommodate three bicycles. A bicycle can be parked within the loop plus on the outside of each leg. The rack is made from 2.38" O.D. x 11-gauge wall steel tubing. The legs are designed to extend 10" into the ground for a sturdy inground mount.

Finish

Fade-resistant, powder coated steel tubing features a state-of-the-art primer proven to prevent rusting. Treated components exceed the industry by 34% in testing by independent sources.

Color

See website or sales representative for color choices.

Assembly

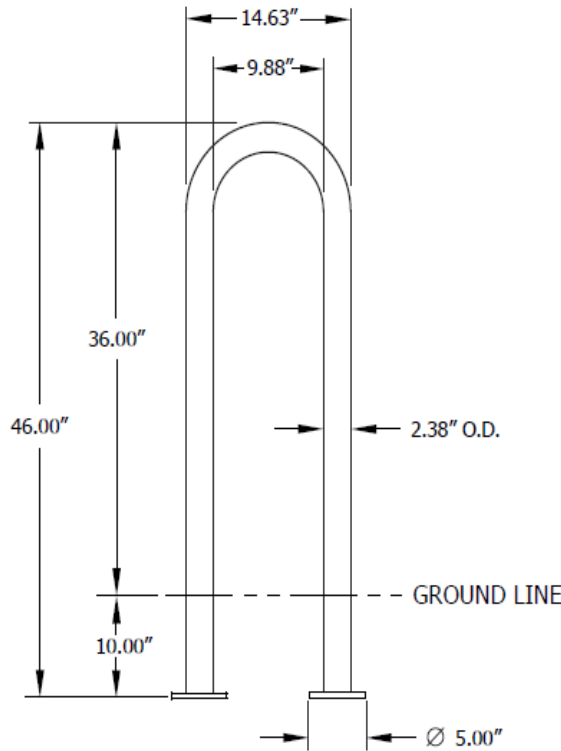
Bike rack requires no assembly except for the inground mounting.

Maintenance

The product is virtually maintenance-free and requires only periodic cleaning with a sponge and a solution of mild detergent and water to remove surface dirt. Do not clean with solvent or petroleum base products.

Warranty

20-year limited structural warranty with 7-year finish warranty against fading; 3-year finish warranty on powder coated metal components against rusting, peeling, chipping, cracking, mold, mildew and defects in materials and/or workmanship. See full details on multi-year warranties for components at <https://www.anovafurnishings.com/warranty>



SHIPPING INFORMATION

Unit Weight	Unit Shipping Wt. UPS (1-2 Units)	Unit Shipping Wt. Truck (3+ Units)	Unit Ship Size w/Pallet	Max Units Per Pallet	Pallet Size/Wt. (32" X 74")	Total No. Pkgs.	Shipping Class
26 lbs.	37 lbs./unit	30 lbs./unit	13.45 cu. ft.	12	100 lbs.	1	92.5