



211 North Lindbergh Blvd.
 St. Louis, MO 63141
 800.231.1327 tel. | 314.754.0835 fax
specify@anovafurnishings.com
anovafurnishings.com

LBR3PVCING — Streetside 1-Loop Bike Rack with 3-Bike Capacity, Fusion Advantage Finish and Inground Mount

One-loop steel tubular bike rack with three-bike capacity, Fusion Advantage finish and inground mount



Material

The bike rack is 14.88" wide and can accommodate three bicycles. A bicycle can be parked within the loop plus on the outside of each leg. The rack is made from 2.38" O.D. x 11-gauge wall steel tubing. The legs are designed to extend 10" into the ground for a sturdy inground mount.

Finish

Bike rack is protected by the patented Fusion Advantage™ finish. The plastisol coating has an average thickness of .125" and is encapsulated with a richly tinted, high performance powder coating that won't rust, fade, peel, chip, crack, mold or mildew. The finish has been tested to the requirements of ASTM E1354 and determined to be in compliance with California Uniform Fire Code 1103.2.1.4.2.

Color

See website or sales representative for color choices.

Assembly

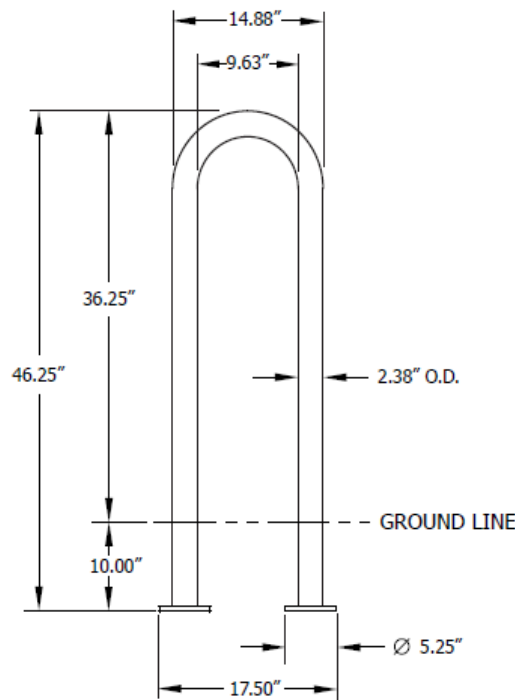
Bike rack requires no assembly except for the inground mounting.

Maintenance

The product is virtually maintenance-free and requires only periodic cleaning with a sponge and a solution of mild detergent and water to remove surface dirt. Do not clean with solvent or petroleum base products.

Warranty

20-year limited structural warranty with 7-year finish warranty from the date of purchase. See full details on multi-year warranties for components at www.anovafurnishings.com/warranty.aspx.



SHIPPING INFORMATION

Unit Weight	Unit Shipping Wt. UPS (1-2 Units)	Unit Shipping Wt. Truck (3+ Units)	Unit Ship Size w/Pallet	Max Units Per Pallet	Pallet Size/Wt. (74" X 32")	Total No. Pkgs.	Shipping Class
35 lbs.	39 lbs./unit	39 lbs./unit	13.45 cu. ft.	12	100 lbs.	1	92.5