



211 North Lindbergh Blvd.  
 St. Louis, MO 63141  
 800.231.1327 tel. | 314.754.0835 fax  
[specify@anovafurnishings.com](mailto:specify@anovafurnishings.com)  
[anovafurnishings.com](http://anovafurnishings.com)

**LBR3PVC SURF — Streetside 1-Loop Bike Rack with 3-Bike Capacity, Fusion Advantage Finish and Surface Mount**

**One-loop steel tubular bike rack with three-bike capacity, Fusion Advantage finish and surface mount**



**Material**

The bike rack is 14.88" wide and can accommodate three bicycles. A bicycle can be parked within the loop plus on the outside of each leg. The rack is made from 2.38" O.D. x 11-gauge wall steel tubing. Each leg features a 5" diameter mounting plate with predrilled holes for easy surface mounting. Mounting hardware is not included.

**Finish**

Bike rack is protected by the patented Fusion Advantage™ finish. The plastisol coating has an average thickness of .125" and is encapsulated with a richly tinted, high performance powder coating that won't rust, fade, peel, chip, crack, mold or mildew. The finish has been tested to the requirements of ASTM E1354 and determined to be in compliance with California Uniform Fire Code 1103.2.1.4.2.

**Color**

See website or sales representative for color choices.

**Assembly**

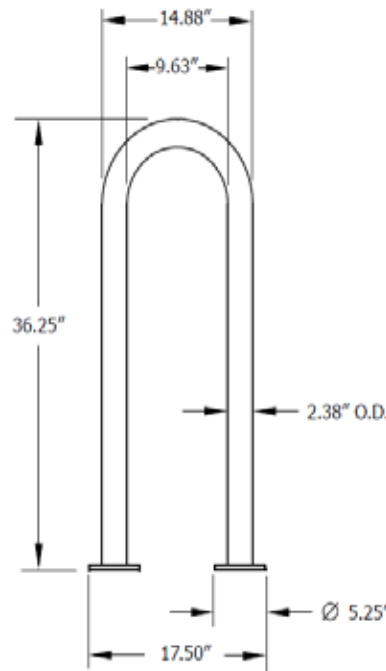
Bike rack requires no assembly except for the surface mounting.

**Maintenance**

The product is virtually maintenance-free and requires only periodic cleaning with a sponge and a solution of mild detergent and water to remove surface dirt. Do not clean with solvent or petroleum base products.

**Warranty**

20-year limited structural warranty with 7-year finish warranty from the date of purchase. See full details on multi-year warranties for components at [www.anovafurnishings.com/warranty.aspx](http://www.anovafurnishings.com/warranty.aspx).



**SHIPPING INFORMATION**

Unit Weight	Unit Shipping Wt. S (Units)	UP (1-2)	Unit Shipping Wt. Truck (3+ Units)	Unit Ship Size w/Pallet	Max Units Per Pallet	Pallet Size/Wt. (48" X 32")	Total No. Pkgs.	Shipping Class
28 lbs.	31 lbs./unit		31 lbs./unit	9.78 cu. ft.	12	50 lbs.	1	100