

**LBRMING
MEDALLION BIKE POST**
powder coated, in ground mount bike
post

211 North Lindbergh Blvd.
St. Louis, MO 63141
888.535.5005 tel
314.754.0835 fax
specify@anovafurnishings.com
anovafurnishings.com

Material

The bike rack is 41.18" tall after installation. The post is made from 2.38" O.D. x 10-gauge wall steel tubing. The product is protected by a fade resistant powder coat finish featuring a state of the art primer proven to prevent rusting. The post is designed to be installed 20" deep for a sturdy support.

Finish

Fade-resistant powder coated steel components feature a state-of-the art primer proven to prevent rusting. Treated components exceed the industry standard by 34% in testing by independent sources.

Color

See website or sales representative for color choices.

Assembly

The bike post requires some assembly in addition to the in ground mounting.

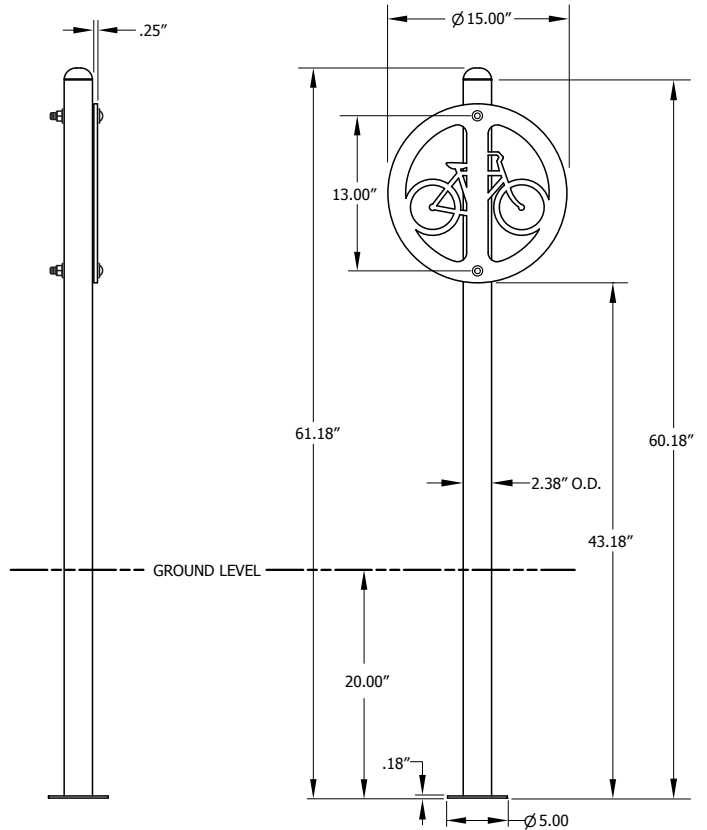
Maintenance

The product is virtually maintenance-free and requires only periodic cleaning with a sponge and a solution of mild detergent and water to remove surface dirt. Do not clean with solvent or petroleum based products.

Warranty

20-year limited structural warranty with 7-year finish warranty against fading; 3-year finish warranty on powder coated metal components against rusting, peeling, chipping, cracking, mold, mildew and defects in materials and/or workmanship. See full details on multi-year warranties for components at

www.anovafurnishings.com/warranty.



Shipping Information

Unit Wt.	Unit Shipping Wt. UPS (1-2 Units)	Unit Shipping Wt. Truck (3+ Units)	Unit Ship Size w/Pallet	Max Units per Pallet	Pallet Wt. (74" x 32")	Total No. Pkgs	Shipping Class
17 lbs	32 lbs/unit	23 lbs/unit	14 cu. ft.	12	50 lbs	1	70