



**LEX22P— Exposition Plastic Receptacle/Recycler with Side Door**

**22-gallon polyethylene receptacle/recycler with side door, bonnet top, plastic liner, rubber feet and optional decals (when specified)**

**Material**

The receptacle is 38.75" tall and composed of 100% marine-grade, high-density polyethylene. The front opening door pivots on heavy-duty stainless-steel hinges and features a stainless steel, keyless thumb-turn cam lock. The receptacle features a built-in bonnet top with 8.06" tall by 19.80" wide front and back openings and 6.25" tall by 16.00" wide openings on the sides. Marine-grade, high-density polyethylene is virgin material that is 100% recyclable and LEED certifiable. It is UV-resistant, scratch-resistant, corrosion-resistant and will not rot, warp, swell, splinter, discolor or delaminate when exposed to humidity or water. It is chemically resistant to most chemicals, except the harshest solvents and acids.

Optional decals with white lettering are available: "Bottles/Cans" with recycling logo, "Mixed Recycling" with recycling logo, "Paper" with recycling logo or "Trash" decal with —custom decals also available. Decal placement will be centered at the top of the door. Decals will be factory installed and must be specified at the time of order.

The receptacle is designed to be portable for flexibility in placement or surface mounted using pre-drilled holes inside base to prevent movement. The rubber feet help to protect your floors. The reusable plastic liner is made of high-density polyethylene. Mounting hardware is not included.

**Finish**

Polyethylene has a scratch-resistant surface with UV inhibitors to protect against fading.

**Color**

See website or sales representative for color choices.

**Assembly**

The receptacle ships fully assembled and ready for use.

**Maintenance**

Maintenance-free—to clean, spray with a power washer.

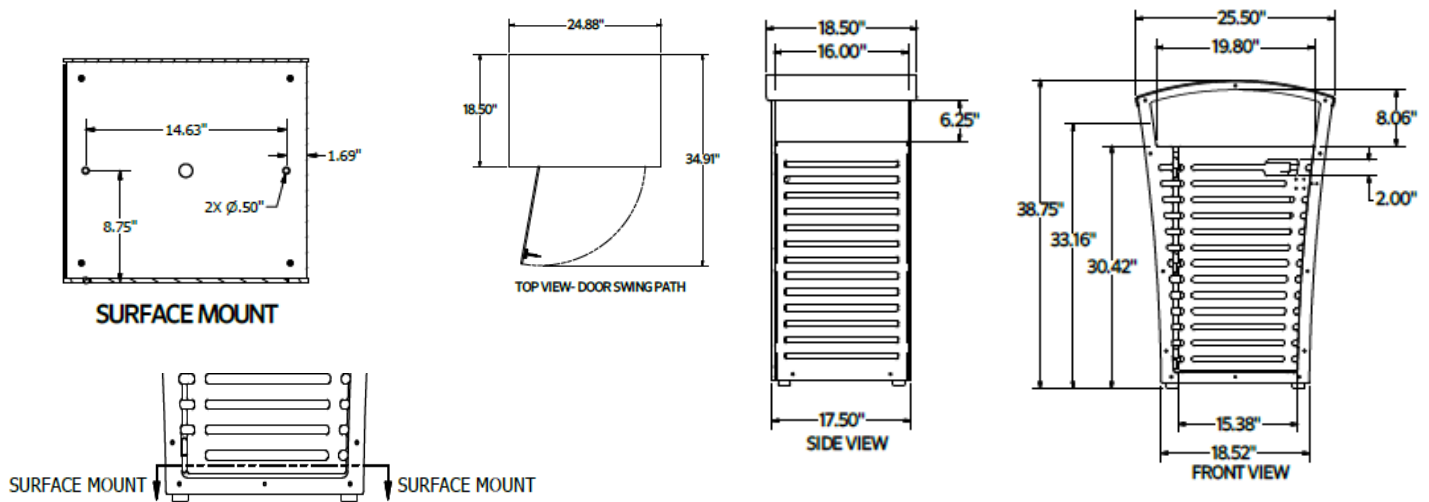
**Warranty**

5-year limited structural warranty from the date of purchase. See full details on multi-year warranties for components at [www.anovafurnishings.com/warranty.aspx](http://www.anovafurnishings.com/warranty.aspx).



**Replacement Parts**

- Black Plastic Liner           DOM2011
- Trash Deca-White           DEC2000
- Paper Decal w/Logo White   DEC2004
- Bottles/Cans w/Logo White   DEC2008
- Mixed Recycling w/Logo White DEC5000



**SHIPPING INFORMATION**

Unit Weight	Unit Shipping Wt. UPS	Unit Shipping Wt. Truck (1+ Units)	Unit Ship Size w/Pallet	Max Units Per Pallet	Pallet Size/Wt. (30 x 30)	Total No. Pkgs.	Shipping Class
52 lbs.	N/A	92 lbs./unit	14.1 cu. ft.	1	28	1	100