



**LEX45 — Exposition Receptacle/Recycler with Side Door**

**45-gallon steel slat receptacle with side door, bonnet top, plastic liner, rubber feet and optional decals (when specified)**

**Material**

The receptacle is 43.95" tall and is composed of heavy-duty, 7-gauge steel front and back panels and 12-gauge steel side panels with a .75" gap horizontal slotted pattern. The receptacle features a built-in bonnet top with 7.83" tall by 26.25" wide front and back openings and 4.86" tall by 22" wide openings on the sides. The front door panel opens on a continuous geared hinge and comes standard with a tamper-resistant cam lock and set of two keys; also available with a keyless thumb-turn cam lock.

Optional decals are available: "Bottles/Cans" with recycling logo, "Mixed Recycling" with recycling logo, "Paper" with recycling logo or "Trash" decal—custom decals also available. Specify black or white lettering. Decal placement will be centered at the top of the door. Decals will be factory installed and must be specified at the time of order.

The receptacle is designed to be portable for flexibility in placement or surface mounted using pre-drilled holes inside base to prevent movement. The rubber feet are adjustable to assist in leveling the receptacle. The reusable plastic liner is made of high-density polyethylene. Mounting hardware is not included.

**Finish**

Fade-resistant, powder coated steel is protected by a state-of-the-art primer proven to prevent rusting. Treated components exceed the industry standard by 34% in testing by independent sources.

**Color**

See website or sales representative for color choices.

**Assembly**

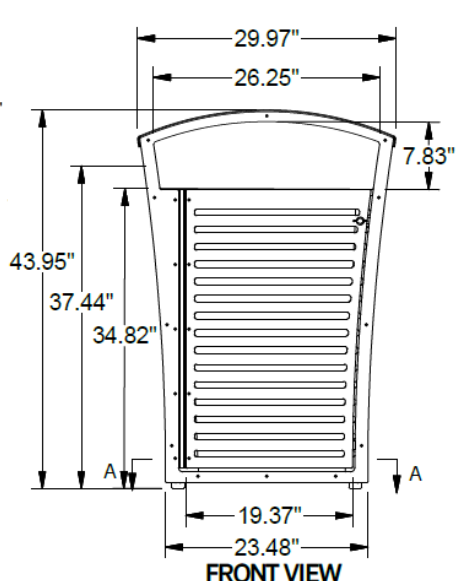
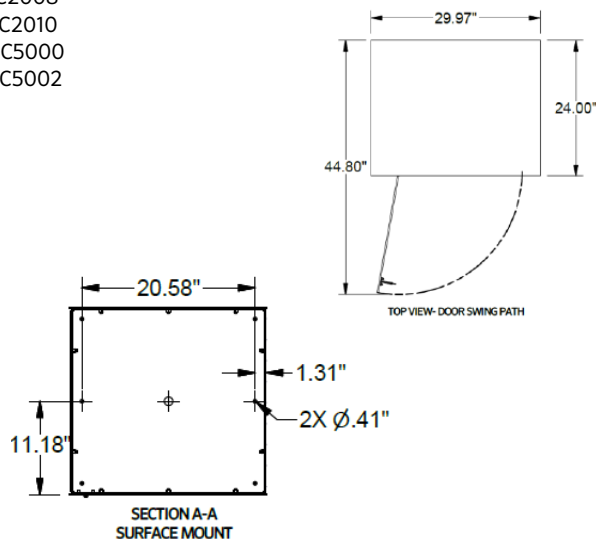
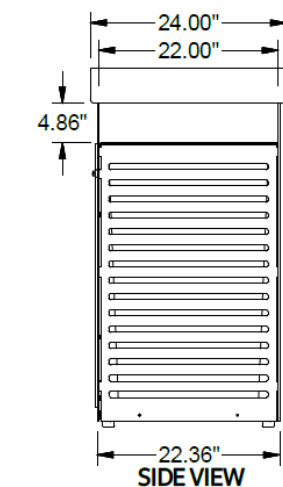
The receptacle ships fully assembled and ready for use.

**Maintenance**

The product is virtually maintenance-free and requires only periodic cleaning with a sponge and a mild detergent and water solution to remove surface dirt. Do not clean with solvent or petroleum base products.

**Replacement Parts**

- Black Plastic Liner R-DOM2009
- Trash Decal White DEC2000
- Trash Decal Black DEC2002
- Paper Decal w/Logo White DEC2004
- Paper Decal w/Logo Black DEC2006
- Bottles/Cans w/Logo White DEC2008
- Bottles/Cans w/Logo Black DEC2010
- Mixed Recycling w/Logo White DEC5000
- Mixed Recycling w/Logo Black DEC5002



**SHIPPING INFORMATION**

Unit Weight	Unit Shipping Wt. UPS	Unit Shipping Wt. Truck (1+ Units)	Unit Ship Size w/Pallet	Max Units Per Pallet	Pallet Size/Wt. (32" x 48")	Total No. Pkgs.	Shipping Class
172 lbs.	N/A	180 lbs./unit	44 cu. ft.	1	50 lbs.	1	150