



Assembly Instructions

Exposition Contour Benches

LEXC4 Exposition 4' Contour Bench

LEXC5 Exposition 5' Contour Bench

LEXC6 Exposition 6' Contour Bench

anovafurnishings.com

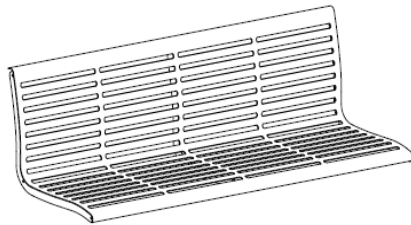
888.535.5005 tel

TOOLS NEEDED:

- 9/16" Open-end or box-end wrench or ratchet with 9/16" socket
- Phillips head screwdriver



BENCH COMPONENTS:

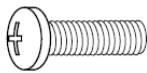


(1) Bench Seat



(2) Bench Supports

ASSEMBLY HARDWARE: All hardware is stainless steel.



(6) 3/8" x 1 1/2" Phillips Head Screws



(6) 3/8" Nylock Nuts



(6) 3/8" Flat Washers



(8) Plastic Rectangular Feet



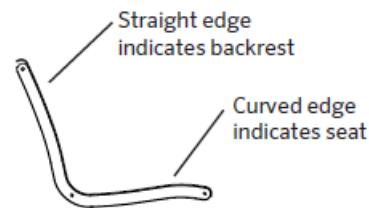
(16) Adhesive Strips

ASSEMBLY:

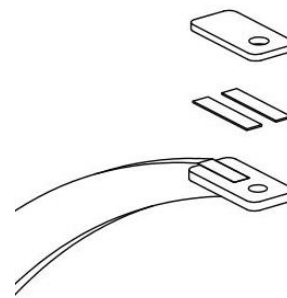
1. Inspect the shipping container contents for damage and to determine that all components and hardware are present.
2. Assemble the bench over the shipping packaging or padded work area to avoid scratching the product.

NOTE: Before assembling the nuts to the screws, it is recommended that a light oil or petroleum jelly be applied to the screw threads.

3. Locate one of the bench supports and position it near the end of the seat. Before proceeding, double-check that the seat portion is oriented horizontally and the back rest is vertical before assembling. The front edge of the seat portion of the bench has a slight curve to it. The mounting holes will not match up unless the bench seat is aligned to the bench supports in the proper orientation.
4. Apply two adhesive strips to one of the plastic rectangular feet. Then firmly apply the plastic rectangular to the metal foot of the bench support aligning the holes in each. Repeat for each of the remaining feet.



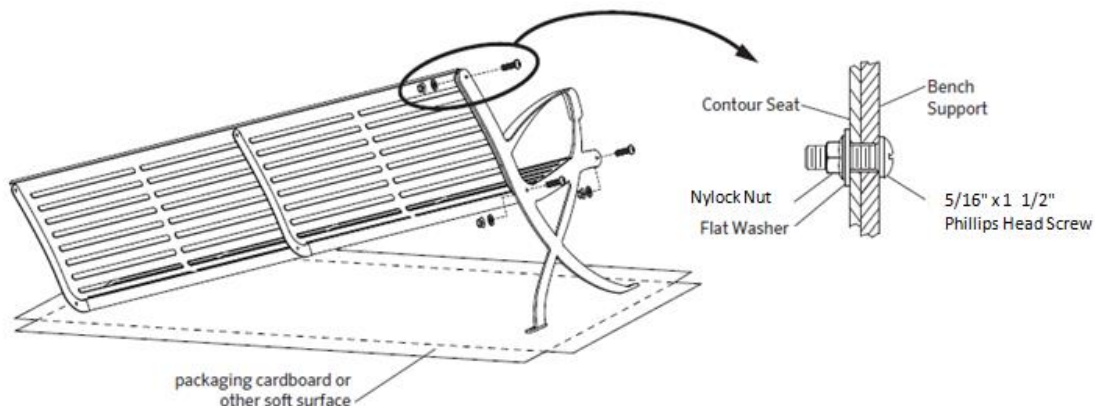
SEAT ORIENTATION



- Align the mounting holes in the bench support with the holes on one end of the bench seat. Insert one of the 5/16" x 1 1/2" Phillips head screws through both parts, with the screw head on the outside surface of the bench support. Place a 5/16" flat washer and 5/16" Nylock nut on the inside end of the screw and finger tighten.

NOTE: Installing the Phillips head screws in this direction reduces the risk of scratching during use. Leave the hardware finger tight so that adjustments can be made during assembly and leveling.

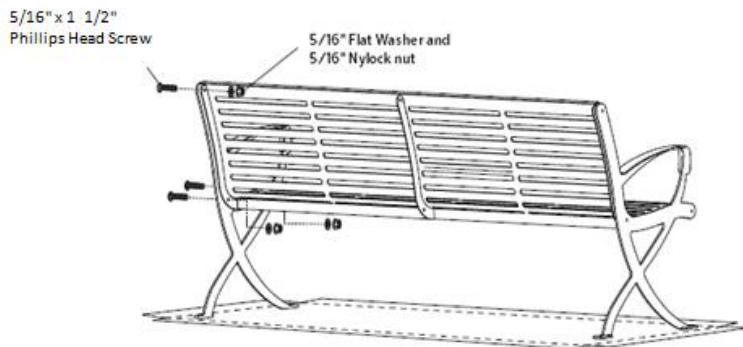
- Repeat step 5 for the other side of the bench. Again, leave the hardware finger tight.



- After all of the screws are installed, use the 1/2" open-end wrench, 1/2" box-end wrench or ratchet with a 1/2" socket to tighten.
- Move the bench to the location where it will be used.

NOTE: The feet of the bench include surface mounting holes for permanent installations.

- After two weeks, retighten all of the hardware.



NOTE: Please contact Customer Care at 1-866-797-1761 to receive assistance in placing a replacement part order.



- Furniture must not be used other than for its intended purpose and should be inspected regularly for loose, missing, or broken hardware, and general instability.
- Furniture that is damaged or appears to be unstable must be removed from service and be repaired or replaced.
- Repairs must be made using only factory authorized parts and methods.

CARE AND MAINTENANCE

- Do not drag the assembled unit across any surface.
- This product requires only periodic cleaning with a sponge and a solution of mild detergent and water to remove surface dirt. Do not clean with a solvent or petroleum based products.