



211 North Lindbergh Blvd.  
 St. Louis, MO 63141  
 800.231.1327 tel. | 314.754.0835 fax  
[specify@anovafurnishings.com](mailto:specify@anovafurnishings.com)  
[anovafurnishings.com](http://anovafurnishings.com)

## M2016 — Element 6' Contour Bench

6' steel contour bench with tubular armrest/leg ends and portable/surface mount legs



Parquet pattern shown.

### Material

The 6' contour bench seat and back is composed of 14-gauge steel featuring a choice of two uniformly spaced architectural perforated patterns; the patterns are ovals or parquet.

The ends, armrests and legs are 2" square, 12-gauge steel tubing. The bench is 72" long and will support 200 lbs. per linear foot.

The bench is designed to be portable for flexibility in placement or can be surface mounted. Each leg has an adjustable leveler foot which features a predrilled .4" diameter hole for surface mounting to prevent movement. Mounting hardware is not included.

### Finish

Fade-resistant, powder coated steel features a state-of-the-art primer proven to prevent rusting. Treated components exceed the industry standard by 34% in testing by independent sources.

### Color

See website or sales representative for color choices.

### Assembly

The bench is shipped fully assembled and ready for use.

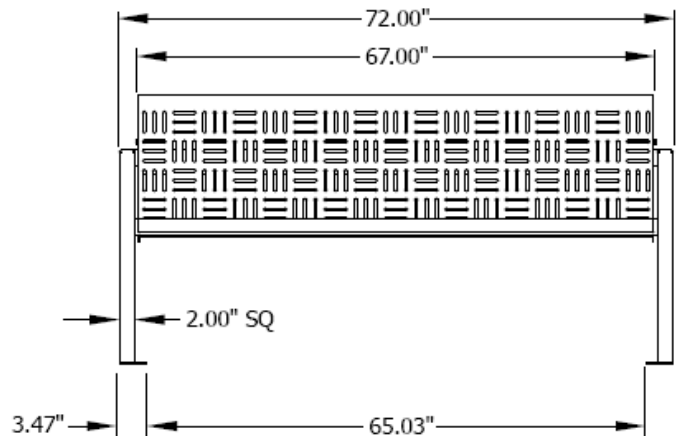
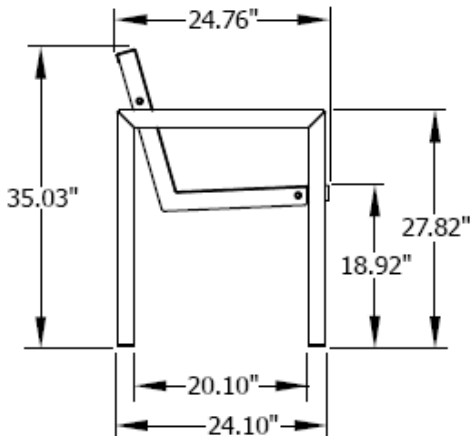
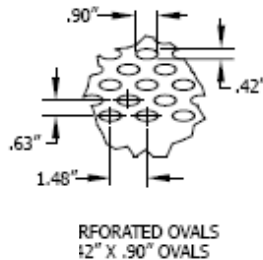
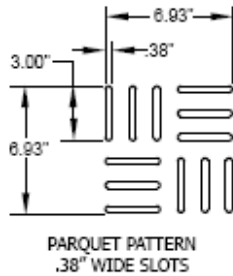
### Maintenance

The product is virtually maintenance-free and requires only periodic cleaning with a sponge and a solution of mild detergent and water to remove surface dirt. Do not clean with solvent or petroleum base products.

### Warranty

20-year limited structural warranty with 7-year finish warranty against fading; 3-year finish warranty on powder coated metal components against rusting, peeling, chipping, cracking, mold, mildew and defects in materials and/or workmanship. See full details on multi-year warranties for components at

<https://www.anovafurnishings.com/warranty>



## SHIPPING INFORMATION

| Unit Weight | Unit Shipping Wt. UPS | Unit Shipping Wt. Truck (1+ Units) | Unit Ship Size w/Pallet | Max Units Per Pallet | Pallet Size/Wt. (32" x 74") | Total No. Pkgs. | Shipping Class |
|-------------|-----------------------|------------------------------------|-------------------------|----------------------|-----------------------------|-----------------|----------------|
| 134 lbs.    | N/A                   | 154 lbs./unit                      | 57 cu. ft.              | 1                    | 100 lbs.                    | 1               | 70             |