



MIX2927T — Mixx Thermory® Stool

Stool with Thermory planks and steel frame and legs, portable

Material

The 15.32" square stool is composed of 0.75" x 3.5" (1" x 4" nominal dimensions) Thermory seat planks. The frame and supports are made of 14-gauge steel and are designed to support 200 lbs. per linear foot.

The stool is designed to be portable for flexibility in placement. Each foot features a stainless steel adjustable glide for leveling and to protect your floors. Matching tables are also available.

Low-maintenance Thermory is made from thermally-modified North American White Ash—a sustainably-harvested and renewable temperate hardwood. It is an environmentally-friendly hardwood and a great alternative to commonly used tropical rainforest hardwoods because of its dimensional stability and Class 1 durability (25+ years). Thermory has a lower carbon footprint than tropical hardwoods.

Finish

Fade-resistant, powder coated steel components feature a state-of-the-art primer proven to prevent rusting. Treated components exceed the industry standard by 34% in testing by independent sources.

Thermory is a lustrous chocolate brown color when new and will naturally age to uniform silver/gray over time. The color-changing process begins immediately and varies with the amount of UV-exposure.

Color

See website or sales representative for color choices.

Assembly

The stool ships fully assembled. Leveling foot glides may require adjustments.

Maintenance

Clean with mild soap and water. Let dry thoroughly. To maintain original color, regularly apply standard deck oil, such as Cutek® Extreme Wood Protection Oil.

Warranty

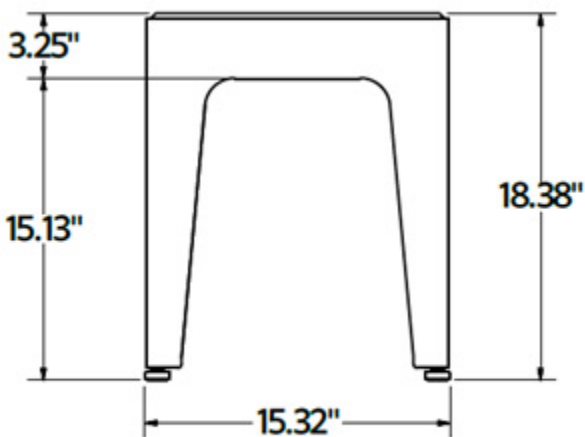
10-year limited structural warranty from the date of purchase. See full details on multi-year warranties for components at www.anovafurnishings.com/warranty.aspx.



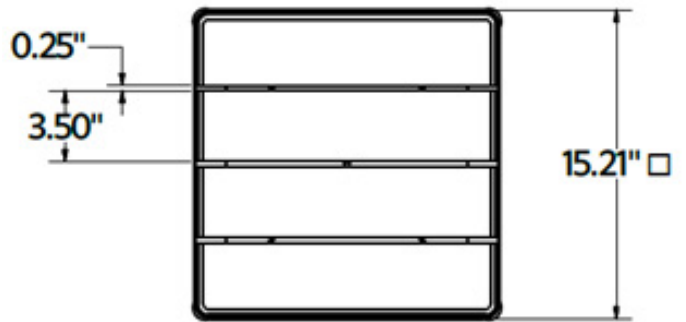
Accessories

Mixx Hold Down Kit

A1007



FRONT VIEW



TOP VIEW