



ASSEMBLY INSTRUCTIONS

MIX2955R - Mixx Recycled Plastic 34" x 72" Counter Height Table

MIX2955T - Mixx Thermory® 34" x 72" Counter Height Table

anovafurnishings.com
888.535.5005 tel

TOOLS NEEDED:

- Ratchet with 7/16" socket
- 5/32" Allen wrench

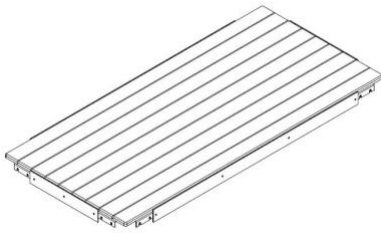


Shown in mahogany recycled plastic.

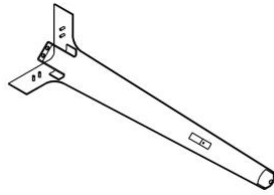


Shown in Thermory.

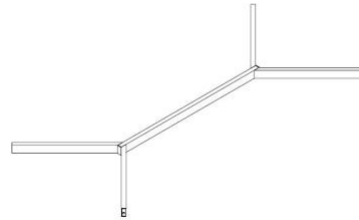
TABLE COMPONENTS:



(1) Table Top



(4) Table Legs



(1) Table Stretcher

ASSEMBLY HARDWARE: All hardware is stainless steel.



(4) 1/4"-20 x 1/2"
Button Head Socket
Cap Screws



(24) 1/4"
Nylock Nuts



(28) 1/4"
Flat Washers



(4) Glides

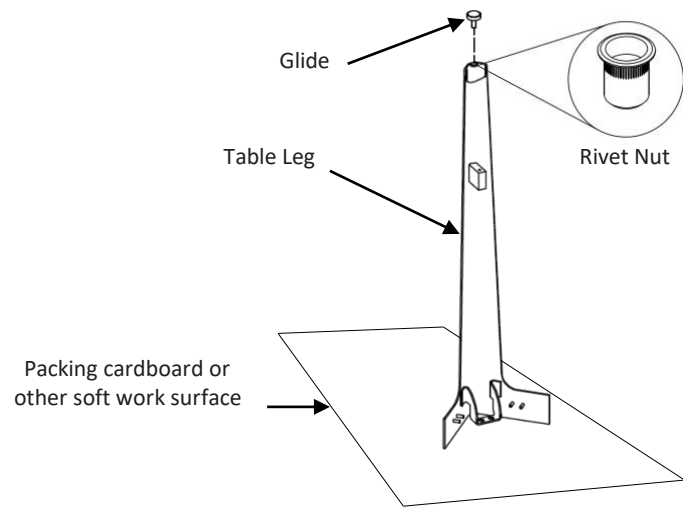
ASSEMBLY:

The assembly is a two-person operation.

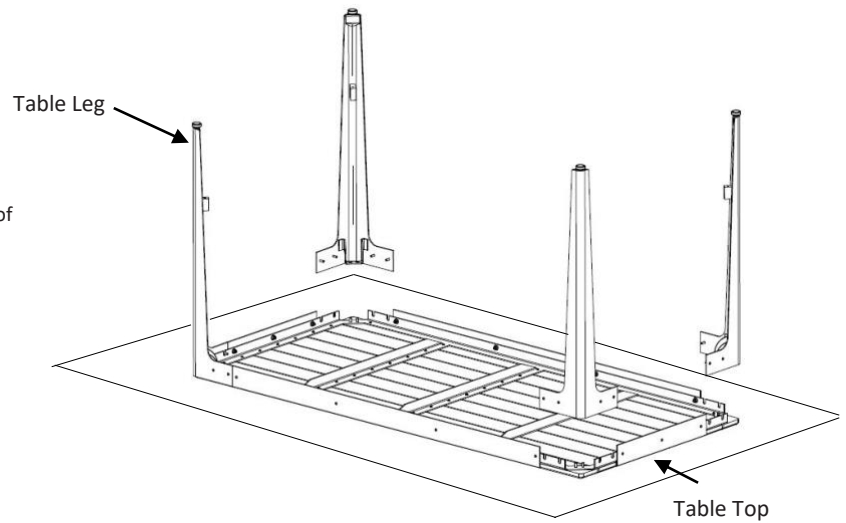
1. Inspect the shipping container contents for damage and to determine that all components and hardware are present.
2. Assemble the table over the shipping packaging or padded work area to avoid scratching the product.

NOTE: Before assembling the nuts to the PEM® studs, it is recommended that a light oil or petroleum jelly be applied to the screw threads.

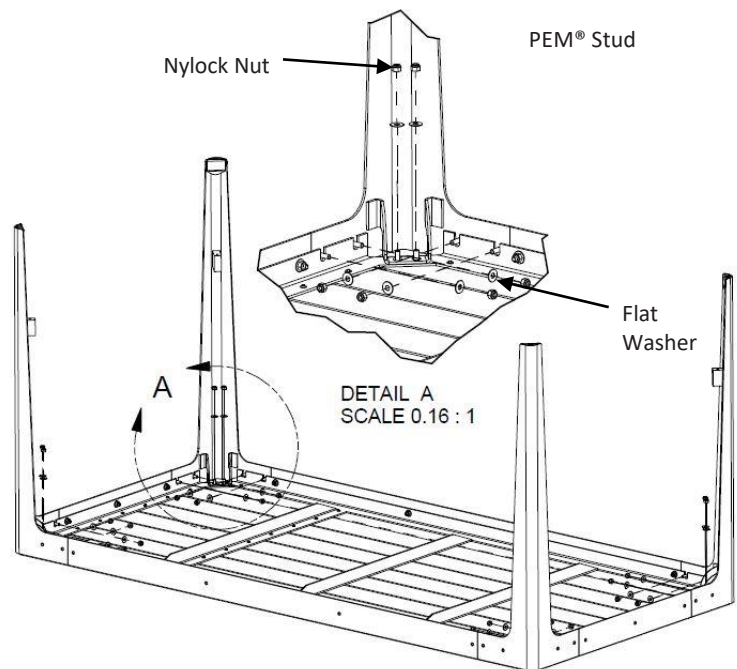
3. Locate the hardware pack included with the product. Hand-screw each glide into the rivet nut at the base of each leg.



4. While leaving the pre-assembled table top upside down on the padded work area, slide each leg down the slots of each corner of the table top as shown.

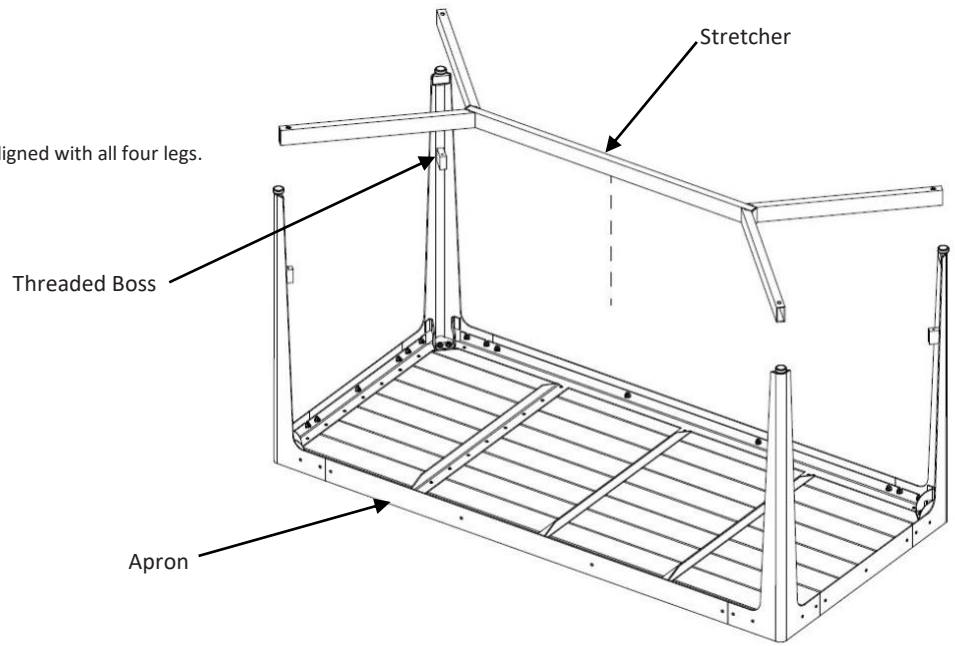


5. Insert one 1/4" flat washer per each PEM® stud. Then screw on a 1/4" Nylock nut and loosely hand-tighten all four legs.



NOTE: All four legs need to be loose in order to align the stretcher to each threaded boss in step 6.

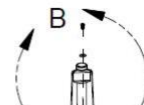
- Slide the stretcher into place making sure it's aligned with all four legs.



- Place one 1/4" flat washer onto one 1/4"-20 x 1/2" button head socket cap screw. Then insert the screw into the threaded boss as shown.

1/4"-20 x 1/2" Button Head Socket Cap Screw

- Use a 5/32" Allen wrench to tighten the four 1/4"-20 x 1/2" button head socket cap screws.



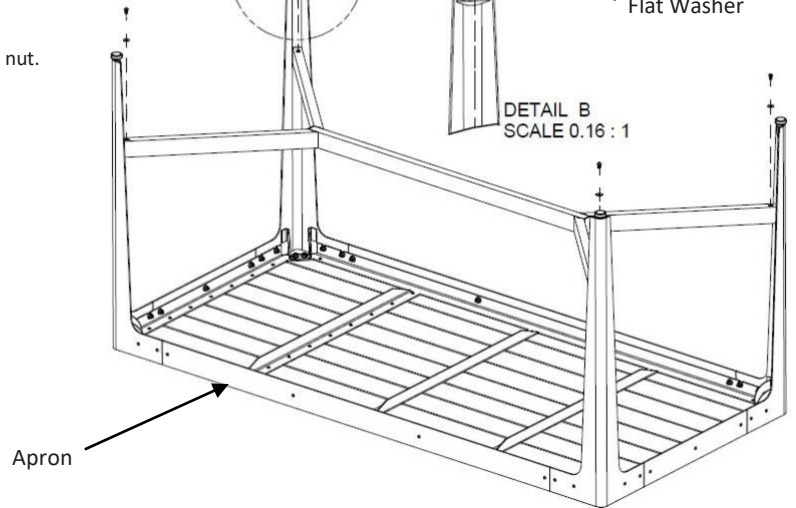
Flat Washer

- Use a ratchet with a 7/16" socket to fully tighten each 1/4" Nylock nut. The aprons are adjustable and should align with the legs.

DETAIL B
SCALE 0.16 : 1

- Tighten all four legs. Then carefully stand the table up right.

- After two weeks, retighten all of the hardware.



NOTE: Please contact Customer Care at 1-866-797-1761 to receive assistance in placing a replacement part order.



WARNING

- Furniture must not be used other than for its intended purpose and should be inspected regularly for loose, missing, or broken hardware, and general instability.
- Furniture that is damaged or appears to be unstable must be removed from service and be repaired or replaced.
- Repairs must be made using only factory authorized parts and methods.

CARE AND MAINTENANCE

- Do not drag the assembled unit across any surface.
- This product requires only periodic cleaning with a sponge and a solution of mild detergent and water to remove surface dirt. Do not clean with a solvent or petroleum based products.