



# ASSEMBLY INSTRUCTIONS

## Recycled Plastic Contour Benches

**PBM4B** – 4’ Recycled Plastic Contour Bench, Black Frame

**PBM6B** – 6’ Recycled Plastic Contour Bench, Black Frame

anovafurnishings.com  
888.535.5005 tel

**PBM4G** – 4’ Recycled Plastic Contour Bench, Galvanized Frame

**PBM6G** – 6’ Recycled Plastic Contour Bench, Galvanized Frame

### Tools Required

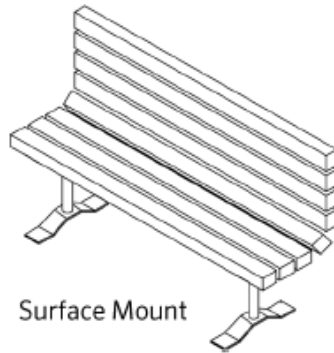
Tape Measure  
1/2” Wrench  
(deep well socket and ratchet recommended)

### 4’ Contour Bench Parts List

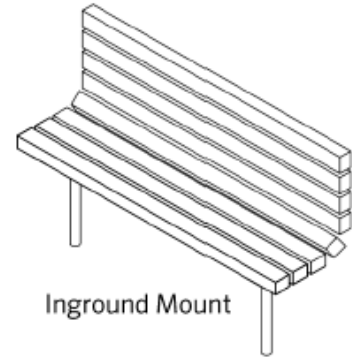
(8) 3 x 4 Planks  
(2) Legs  
(16) Lag Screws  
(16) Flat Washers

### 6’ Contour Parts List

(8) 3 x 4 Planks  
(2) Legs  
(24) Lag Screws  
(24) Flat Washers  
(1) Center Support



Surface Mount



Inground Mount

1. Inspect the shipping container contents for damage and to determine that all components and hardware are present.
2. Assemble the bench over the shipping cardboard or padded work area to avoid scratching the product.
3. Set bench legs upright several feet apart.
4. Lay one plank on the leg with the starter holes in the plank facing the leg.
5. Align starter holes on the plank with the holes in the bench legs.
6. Using a wrench, attach the plank to the bench legs with lag screws.

### DO NOT FULLY TIGHTEN, LEAVE LOOSE FOR ADJUSTMENT.

7. Install the balance of planks using steps 2 through 4.
8. Using a tape measure (or spacer) adjust the planks to provide uniform spacing between the planks and tighten fasteners snugly.
9. **6’ recycled plastic bench only**—flip bench over to attach the center support to the back of the bench. Fasten the center support to the top plank loosely. Align the holes of the center support with the planks. Fasten the rest of the lag screws and tighten. The center support measures 1/8” x 1” x 34”.

### Permanent Mounting/Inground Mount

Each inground mount style leg is provided with sufficient length for 14” of bench leg to be in the ground. The bench leg footing size should be made according to local soil conditions and local building codes. The bottom of the closest slat to mounting surface should be approximately 17” after installation.

### Surface Mount

Two 1/2” holes are provided in each surface mount leg for secure mounting to hard surfaces. We recommend 7/16” threaded anchors installed per manufacturer’s instructions. Locations for anchors should be determined by placing an assembled bench in the desired location and marking the surface through the bench mounting holes.



- Furniture must not be used other than for its intended purpose and should be inspected regularly for loose, missing, or broken hardware, and general instability.
- Furniture that is damaged or appears to be unstable must be removed from service and be repaired or replaced.
- Repairs must be made using only factory authorized parts and methods.

### CARE AND MAINTENANCE

- Do not drag the assembled unit across any surface.
- This product requires only periodic cleaning with a sponge and a solution of mild detergent and water to remove surface dirt. Do not clean with a solvent or petroleum based products.