



211 North Lindbergh Blvd.
 St. Louis, MO 63141
 800.231.1327 tel. | 314.754.0835 fax
specify@anovafurnishings.com
anovafurnishings.com

RCPMT4 — Madison Recycled Plastic Conversation Table

4' table with recycled plastic table planks and steel frame and legs

Material

The 4' table is composed of .50" thick formed steel frame and legs with 1.5" x 3.5" (2" x 4" nominal dimensions) recycled plastic planks for the table top. The table is 48.25" wide and will support 100 lbs per square foot.

The table is designed to be portable for flexibility in placement or surface mounted using predrilled .5" diameter holes in feet to prevent movement. Mounting hardware is not included.

The planks are made of 95% recycled content by weight and are impervious to moisture and corrosion, do not require the application of sealants or preservatives, and will never need painting or staining throughout the product's life.

Finish

Fade-resistant, powder coated steel components feature a state-of-the-art primer proven to prevent rusting. Treated components exceed the industry standard by 34% in testing by independent sources.

Color

See website or sales representative for color choices.

Assembly

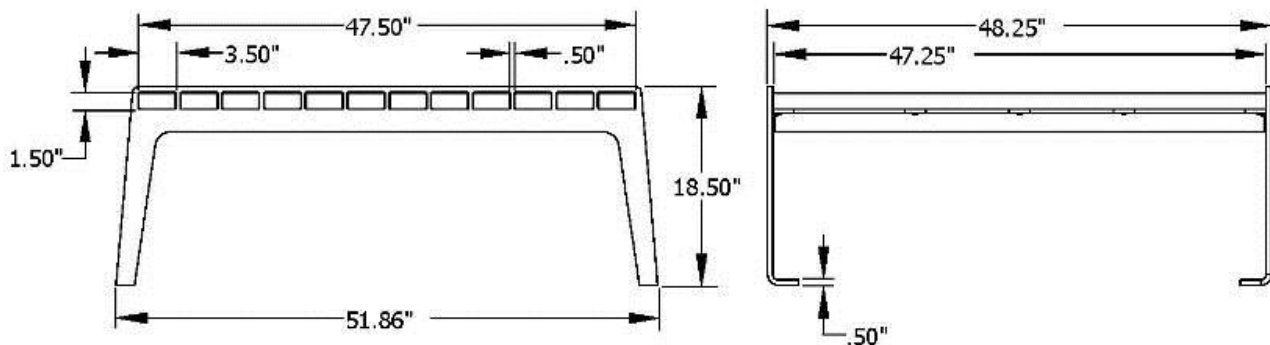
Some assembly is required. Assembly hardware is included.

Maintenance

The product is virtually maintenance-free and requires only periodic cleaning with a sponge and a solution of mild detergent and water to remove surface dirt. Do not clean with solvent or petroleum base products.

Warranty

20-year limited structural warranty on recycled plastic from the date of purchase. See full details on multi-year warranties for components at www.anovafurnishings.com/warranty.aspx.



SHIPPING INFORMATION

Unit Weight	Unit Shipping Wt. UPS	Unit Shipping Wt. Truck (1+ Units)	Unit Ship Size w/Pallet	Max Units Per Pallet	Pallet Size/Wt. (40" x 48")	Total No. Pkgs.	Shipping Class
247 lbs.	N/A	257 lbs./unit	10 cu. ft.	5	100 lbs.	6	70