



# Assembly Instructions

## Tuscany 42" Tables

### T2267R- Recycled Plastic Table

### T2267T- Thermory® Table

anovafurnishings.com  
888.535.5005 tel

#### TOOLS NEEDED:

- 5/32" Hex Drive



Thermory Table

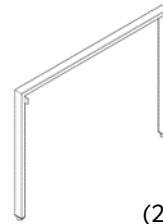


Recycled Plastic

#### TABLE COMPONENTS:



(1) Table Top

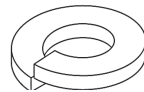


(2) Legs

#### ASSEMBLY HARDWARE: All hardware is stainless steel.



(8) 1/4"-20 x 3/4" Button Head Cap Screws



(8) 1/4" Split Locking Washers



(8) 1/4" Flat Washers



(4) Leg Leveling Feet

#### ASSEMBLY:

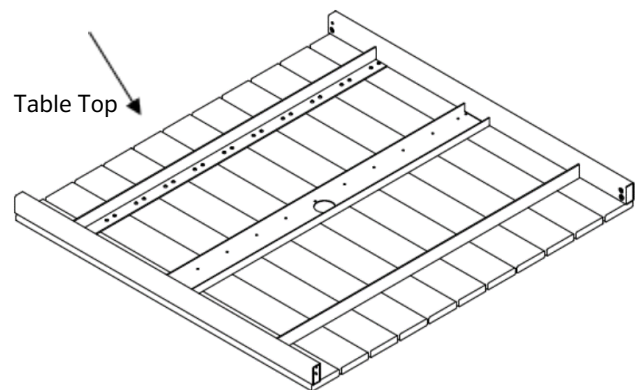
The assembly is a one-person operation.

1. Inspect the shipping container contents for damage and to determine that all components and hardware are present.

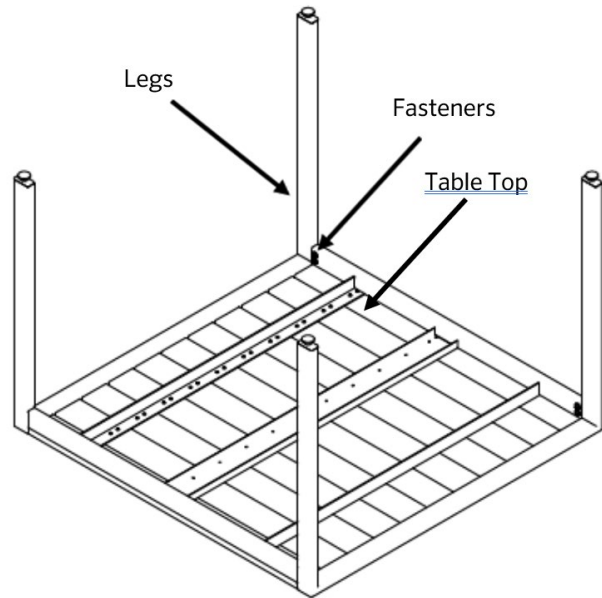
2. Assemble the table over the shipping packaging or padded work area to avoid scratching the product.

Note: Before assembling the nuts to the bolts, it is recommended that a light oil or petroleum jelly be applied to the screw threads.

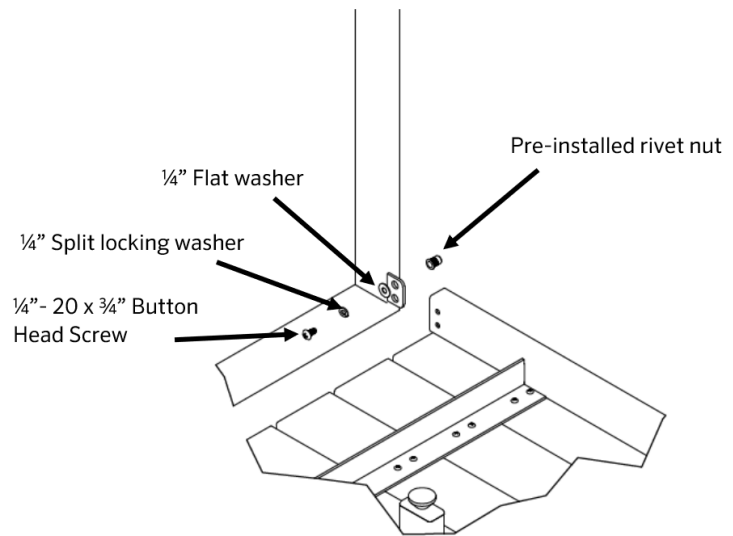
3. Locate the table top and place it on the work surface with the table top supports oriented upward.



4. Locate one of the table legs. Position the leg so that the tab holes align with the table support holes inside on both ends. Place a ¼” split locking washer followed by a ¼” flat washer on a ¼”-20 x ¾” button head cap screw. Insert a screw with washer into each tab and tighten using a 5/32” hex drive.



5. Install the next leg in the same manner.
6. Adjust the leveling feet on the legs as needed.
- Note: Table is federally ADA-compliant.



**NOTE: Please contact Customer Care at 1-866-797-1761 for assistance in placing a replacement part order.**



**WARNING**

- Furniture must not be used other than for its intended purpose and should be inspected regularly for loose, missing, or broken hardware, and general instability.
- Furniture that is damaged or appears to be unstable must be removed from service and be repaired or replaced.
- Repairs must be made using only factory authorized parts and methods.

**CARE AND MAINTENANCE**

- Do not drag the assembled unit across any surface.
- This product requires only periodic cleaning with a sponge and a solution of mild detergent and water to remove surface dirt. Do not clean with a solvent or petroleum based products.